

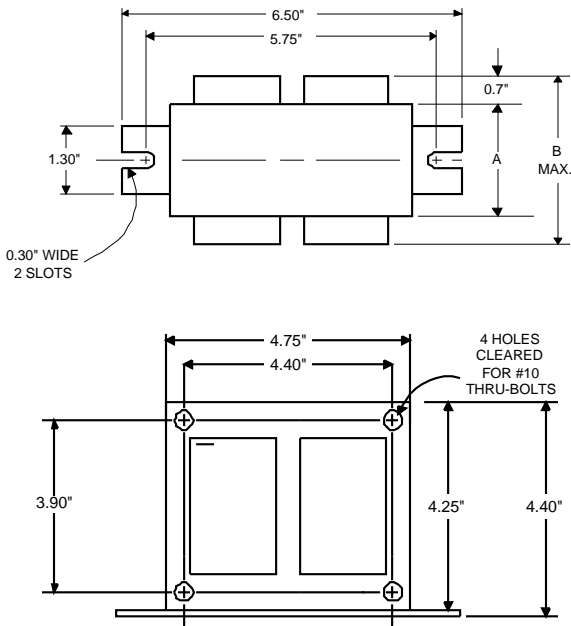


**Metal  
Halide  
Lamp Ballast**

**Catalog Number 71A5780  
For 250W M58  
60 Hz CWA  
Status: Active**

**DIMENSIONS AND DATA**

4 1/4 X 4 3/4 CORE - 2 COIL UNIT



|  |                |      |   |   |   |
|--|----------------|------|---|---|---|
| INPUT VOLTS  | 120            | 277  |   |   |   |
| CIRCUIT TYPE   | CWA            |      |   |   |   |
| POWER FACTOR (min)   | 90%            |      |   |   |   |
| REGULATION   |                |      |   |   |   |
| Line Volts   | ±10%           |      |   |   |   |
| Lamp Watts   | ±10%           |      |   |   |   |
| LINE CURRENT (Amps)  |                |      |   |   |   |
| Operating.....   | 2.50           | 1.10 |   |   |   |
| Open Circuit.....  | 1.70           | 0.75 |   |   |   |
| Starting.....  | 2.20           | 1.00 |   |   |   |
| UL TEMPERATURE RATINGS   |                |      |   |   |   |
| Insulation Class   | H(180°C)       |      |   |   |   |
| Coil Temperature Code  | 1029           |      |   |   |   |
| MIN. AMBIENT STARTING TEMP.  | -20°F or -30°C |      |   |   |   |
| NOM. OPEN CIRCUIT VOLTAGE  | 300            |      |   |   |   |
| INPUT VOLTAGE AT LAMP DROPOUT.....   | 60             | 138  |   |   |   |
| INPUT WATTS  | 295            |      |   |   |   |
| RECOMMENDED FUSE (Amps).....   | 8              | 3    |   |   |   |
| CORE and COIL  |                |      |   |   |   |
| Dimension (A)  | 1.50           |      |   |   |   |
| Dimension (B)  | 3.00           |      |   |   |   |
| Weight (lbs.)  | 9              |      |   |   |   |
| Lead Lengths   | 12"            |      |   |   |   |
| CAPACITOR REQUIREMENT  |                |      |   |   |   |
| Microfarads  | 15.0           |      |   |   |   |
| Volts (min.)   | 400            |      |   |   |   |
| Fault Current Withstand (amps)   |                |      |   |   |   |
| 60 Hz TEST PROCEDURES (Refer to Advance Test Procedure for HID Ballasts - Form 1270) |                |      |   |   |   |
| High Potential Test (Volts)  |                |      |   |   |   |
| 1 minute   | 2000           |      |   |   |   |
| 2 seconds  | 2500           |      |   |   |   |
| Open Circuit Voltage Test (Volts)  | 270-330        |      |   |   |   |
| Short-Circuit Current Test (Amps)  |                |      |   |   |   |
| Secondary Current  | 2.25-2.75      |      |   |   |   |
| Input Current.....   | 1.90           | 0.80 | - | - | - |
|  | 2.70           | 1.20 |   |   |   |

Capacitor: 7C150P40-R



Capacitance: 15  
Dia/Oval Dim: 1.75  
Height: 3.75  
Temp Rating: 105°C

Ignitor: NA

This ballast does not require the use of an ignitor.

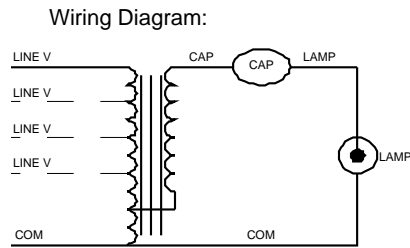


Fig. A

**Typical Ordering Information**

(please call Advance for suffix availability)

| Order Suffix | Description                                   |
|--------------|---|
| 510D         | Ballast w/Welded Bracket & Dry Film Capacitor |
| 600          | Ballast Only, No Capacitor                    |
| 610          | Ballast with Welded Bracket, No Capacitor     |

Data is based upon tests performed by Advance Transformer in a controlled environment and representative of relative performance. Actual performance can vary depending on operating conditions. Specifications are subject to change without notice.

**ADVANCE**

O'HARE INTERNATIONAL CENTER · 10275 WEST HIGGINS ROAD · ROSEMONT, IL 60018  
Customer Support/Technical Service: Phone: 800-372-3331 · Fax: 630-307-3071  
Corporate Offices: Phone: 800-322-2086

03/31/99