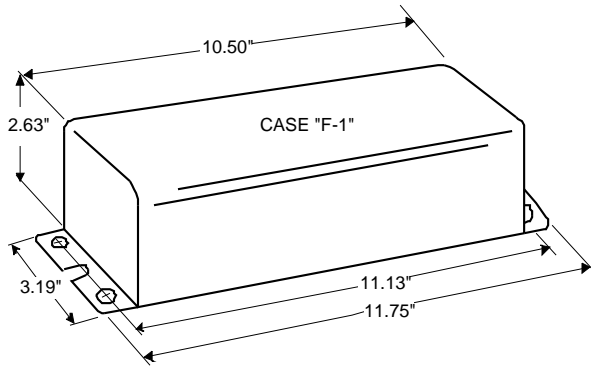




**Metal  
Halide  
Lamp Ballast**

**Catalog Number 72C52C2  
For 70W M98  
60 Hz HX-HPF  
Status: Active**

**DIMENSIONS AND DATA**



INPUT VOLTS	120	347			
CIRCUIT TYPE	HX-HPF				
POWER FACTOR (min)	90%				
REGULATION					
Line Volts	±5%				
Lamp Watts	±10%				
LINE CURRENT (Amps)					
Operating.....	0.85	0.30			
Open Circuit.....	1.70	0.70			
Starting.....	1.15	0.40			
UL TEMPERATURE RATINGS					
Insulation Class	A (105°C)				
Coil Temperature Code	1029				
MIN. AMBIENT STARTING TEMP.	-20°F or -30°C				
NOM. OPEN CIRCUIT VOLTAGE	255				
INPUT VOLTAGE AT LAMP DROPOUT.....	84	242			
INPUT WATTS	94				
RECOMMENDED FUSE (Amps).....	5	2			
CORE and COIL					
Dimension (A)					
Dimension (B)					
Weight (lbs.)	8.5				
Lead Lengths	12"				
CAPACITOR REQUIREMENT					
Microfarads					
Volts (min.)					
Fault Current Withstand (amps)					
60 Hz TEST PROCEDURES (Refer to Advance Test Procedure for HID Ballasts - Form 1270)					
High Potential Test (Volts)					
1 minute	1700				
2 seconds	2100				
Open Circuit Voltage Test (Volts)	215-265				
Short-Circuit Current Test (Amps)					
Secondary Current	0.95-1.20				
Input Current.....	0.50	0.25	-	-	-
	0.75	0.40			

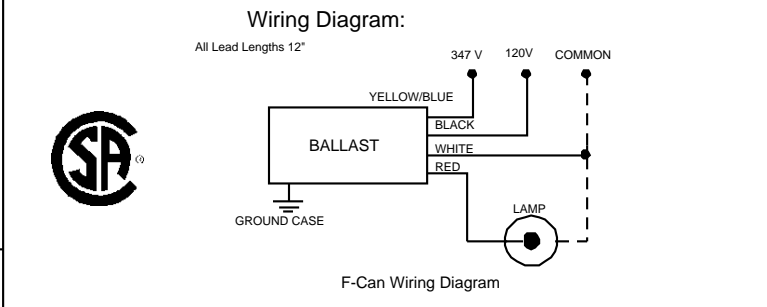
Capacitor:

The capacitor is included as part of the potted assembly.

Ignitor: IN CAN

The ignitor is included as part of the potted assembly.

Ballast to Lamp Distance (BTL) = 10 feet  
Temp Rating: 90°C



**Typical Ordering Information**

(please call Advance for suffix availability)

Order Suffix	Description

Data is based upon tests performed by Advance Transformer in a controlled environment and representative of relative performance. Actual performance can vary depending on operating conditions. Specifications are subject to change without notice.

**ADVANCE**

O'HARE INTERNATIONAL CENTER · 10275 WEST HIGGINS ROAD · ROSEMONT, IL 60018  
Customer Support/Technical Service: Phone: 800-372-3331 · Fax: 630-307-3071  
Corporate Offices: Phone: 800-322-2086

06/27/05