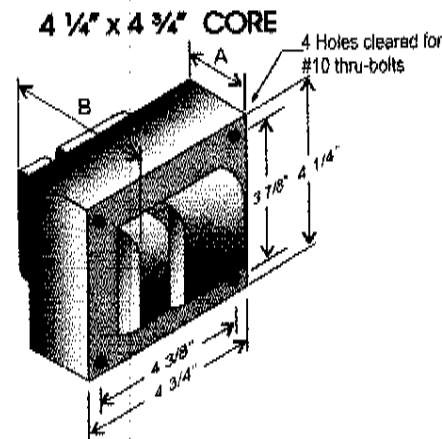


CATALOG NUMBER: E-SIAFRM430 FOR ONE 430 WATT, S145 HIGH PRESSURE SODIUM LAMP

Line Voltage	120/208/240V
Regulation	
Line Volts	+/-10%
Lamp Watts	WITHIN TRAPEZOID
Frequency	60 Hz
Circuit Type	CWI
Power Factor (min)	90%
Insulation Class	H(180°)
Min. Ambient Starting Temp.	-40° F or -40° C

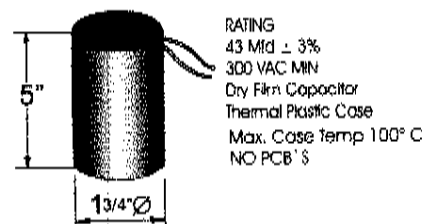
Line Voltage (Volts)	120	208	240
Line Current (Amps)			
Operating	4.50	2.60	2.30
Open Circuit	2.25	1.32	1.12
Starting	2.10	1.17	1.06
Input Watts (W)	485	485	485
Open Circuit Voltage (V)	190	190	190
Drop Out Voltage (V)	95	165	190
UL(1029) Bench Top Rise	E	F	E
Recommended Fuse (Amps)	15	7	7
HIGH POTENTIAL TEST (VOLTS)			
1 Minute	2000		
2 Seconds	2500		
Open Circuit Voltage Test (volts)	170-210		
Short-Circuit Current Test (Amps)			
Secondary Current	6.0 - 6.5		
Input Current (Amps)	0.49 - 0.87	0.27 - 0.50	0.24 - 0.44



CORE AND COIL

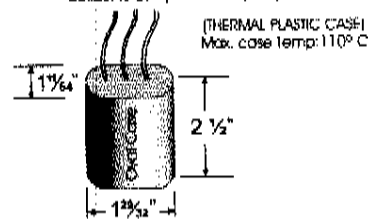
Dimension A (inches)	2.70
Dimension B (inches)	4.50
Weight (Lbs)	16.5
Lead Lengths (inches)	12

CAPACITOR

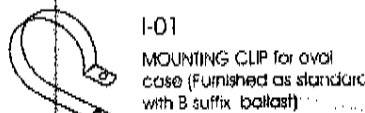
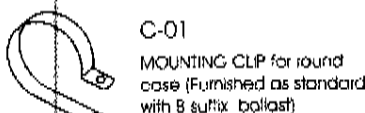
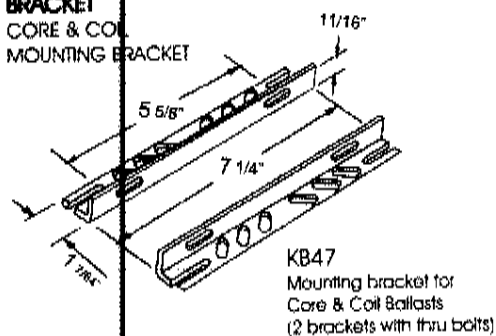


IGNITOR 37-63-AS-6.9-N6

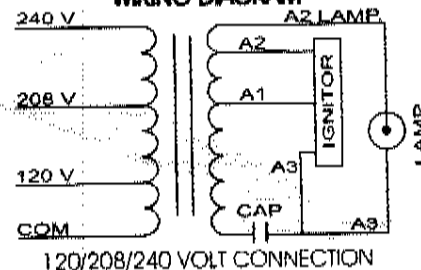
Ballast to Lamp Distance (BTL): 2 feet



BRACKET CORE & COIL MOUNTING BRACKET



WIRING DIAGRAM



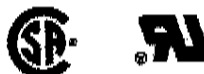
ORDERING INFORMATION

*** Add proper suffix to catalog number when ordering as indicated below:
 No suffix = Core and Coil Only
 B = Core and Coil, and Bracket
 C = Core and Coil, and Capacitor
 BC = Core and Coil, Capacitor and Bracket

Data is based upon tests performed by Industrias Sola Basic in a controlled environment and representative of relative performance. Actual Performance can vary depending on operating conditions. Specifications are subject to change without notice.



Certificate No. 006281



Made in Mexico by Industrias Sola Basic S.A de C.V.