



TECHNICAL BULLETIN HALOGEN LAMP

MR8 EYE Dichro-Cool® JM8351

ANSI Code:

Product Code: 79710

Features:

- Single Ended
- Long Life
- White Light

- Use: General Lighting, Retail, Home, Office, Pool & SPA, Landscape

PERFORMANCE DATA

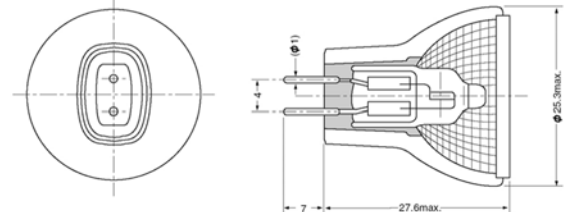
Center Beam Intensity	2300	cd
Color Temperature	3050	K
Color Rendering Index	100	CRI
Beam Angle	13	(°)
Rated Average Life	2000	h
Mirror Temperature (max)	420	°C
Pitch Temperature (max)	270	°C

ELECTRICAL CHARACTERISTICS

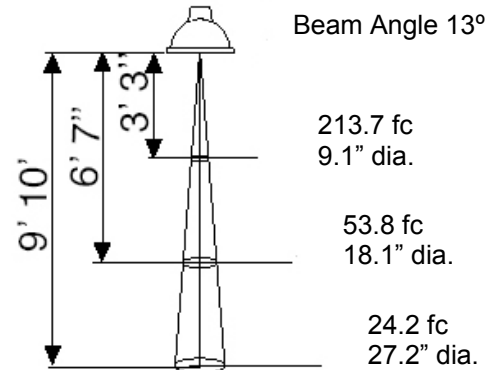
Wattage	35	W
Voltage	12	V
Current (nominal)	2.9	A

PHYSICAL DESCRIPTION

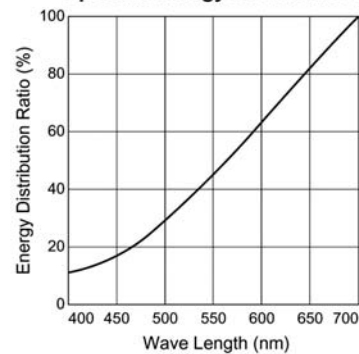
Maximum Overall Length	27.6 (1.1)	mm (in)
Reflector Diameter	25 (1)	mm (in)
Cover Glass Finish	Clear	
Base	GZ4	
Filament	C-8	
Operating Position	Universal	
Fuse	None	



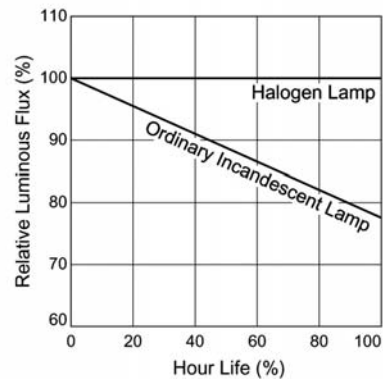
Beam Angle 13°



Spectral Energy Distribution



Lumen Maintenance



**EYE LIGHTING INTERNATIONAL
OF NORTH AMERICA, INC.**
A SUBSIDIARY OF IWASAKI ELECTRIC CO., LTD.

Address: 9150 Hendricks Rd., Mentor, OH 44060
Phone: 888-66-LAMPS Fax: 800-811-7395 E-Mail: sales@eyelighting.com
Phone: (440) 350-7000 Fax: (440) 350-7001 Web: www.eyelighting.com



⚠WARNING

RISK OF SHOCK

- Turn power off before inspection, installation or removal

RISK OF FIRE

- Keep combustible materials away from lamp during operation
- Use in fixture rated for this product

PRESSURIZED LAMP - UNEXPECTED LAMP RUPTURE MAY CAUSE INJURY, FIRE, OR PROPERTY DAMAGE

- Use eye protection when handling lamp
- Do not use lamp if outer glass is scratched or broken
- Do not exceed rated voltage
- Do not turn on lamp until fully installed
- Dispose of lamp in a closed container

⚠CAUTION

RISK OF BURN

- Allow lamp/fixture to cool before handling.

LAMP MAY SHATTER AND CAUSE INJURY

- Do not use lamp if outer glass is scratched or broken

