

FLUORESCENT BALLAST SPECIFICATIONS

DESCRIPTION

CATALOG E620-F-23488-TP	TYPE Magnetic Sign	STARTING METHOD Rapid Start	NUMBER OF LAMPS 2, 3 & 4	LAMP TYPE F72 T12 / HO
-----------------------------------	-----------------------	--------------------------------	-----------------------------	---------------------------

ELECTRICAL CHARACTERISTICS

INPUT VOLTAGE 120v	LAMP WATTS 87w	INPUT WATTS 310w	INPUT CURRENT 2.60 A	OCV 795v	PF 0.99	FREQUENCY 60 Hz	SOUND RATED D
MIN START TEMP -20°F	CLASS P	TYPE 2 outdoor	BALLAST FACTOR 0.83	BEF 0.267	THD 12%	NO PCB'S	

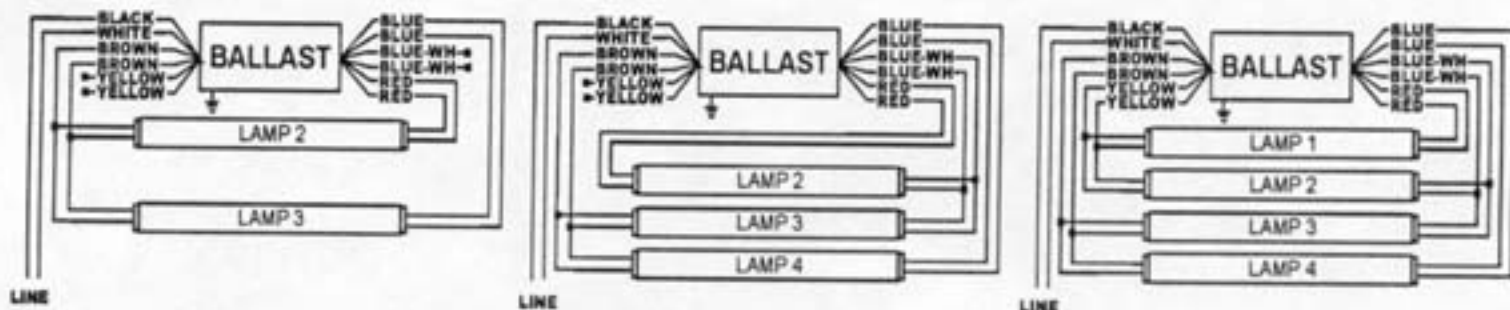
PHYSICAL CHARACTERISTICS

CASE DIMENSIONS							
UNITS	M1	M2	M3	W	L	H	
INCHES	2	13.75	13.125	3.187	14.312	2.625	
TOL(+/-)	0.010	0.010	0.010	0.050	0.050	0.050	
MM	51	350	333	81	363	66	
TOL(+/-)	0.25	0.25	0.25	1.30	1.30	1.30	
LEAD LENGTH							
UNITS	BLACK	WHITE	RED	BLUE	YELLOW	BLUEWH	BROWN
INCHES	24	24	32	75	75	78	52
TOL(+/-)	3/8	3/8	3/8	3/8	3/8	3/8	3/8
MM	610	610	813	1905	1905	1981	1320
TOL(+/-)	10	10	10	10	10	10	10

CARTON CHARACTERISTICS

UNITS/CARTON 4	CARTONS/LAYER 9	# OF LAYERS 4	UNITS/PALLET 144	PIECE WEIGHT 16.25 lbs	CARTON WEIGHT 66 lbs	PALLET WEIGHT 2,417 lbs
CARTONS/PALLET 36	CARTON DIMENSIONS 12" x 14.75" x 4"		PALLET DIMENSIONS 40" x 48" x 7"	PALLET DIMENSIONS LOADED, INCLUDING WOOD PALLET 40" x 48" x 24"		

ELECTRICAL DIAGRAMS:



PRODUCT LABEL

SOLA

120 VOLT 2.60 AMP 795 OCV 60 Hz
FOR 2/F72T12HO or 3/F72T12HO or 4/F72T12HO
P.F. Corrected to 0.99 for 2/F72T12HO
* 802P for Ground

HIGH POWER FACTOR RAPID START
PLASTIC SIGN BALLAST
E620-F-23488-TP

CLASS P
TYPE 2
OUTDOOR
NO PCB'S

LINE
GROUND BALLAST CASE
LINE
GROUND BALLAST CASE
LINE
GROUND BALLAST CASE

Lighting and Power Source
2707 Realty Road, Suite 110
Carrollton, TX 75006
Tel: (888) 385-4448
Fax: (972) 418-5858