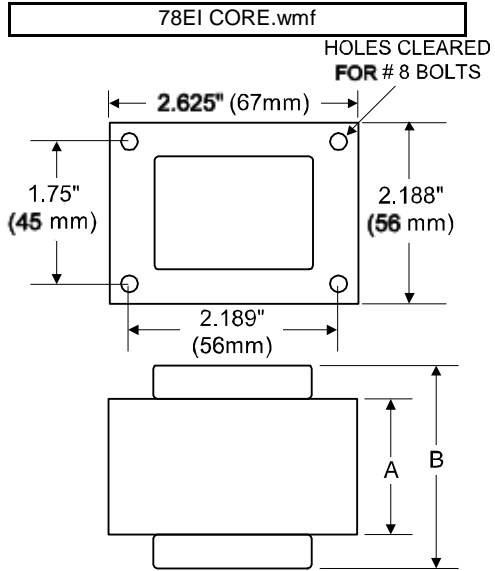




BALLAST SPECIFICATION

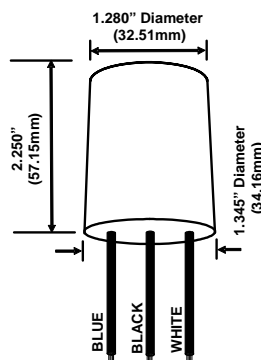
70W S62
High Pressure Sodium
V90B1222-NPF
60 Hz Reactor-NPF

Input Volts	120			
Line Current (Amps)				
Operating	1.70			
Open Circuit				
Starting	1.25			
Recommended Fuse (Amps)	5			
Regulation				
Line Volts	±5%			
Lamp Watts	±9%			
Temperature Ratings				
Insulation Class	180 (H)			
Coil Temperature Code	A			
Benchtop Coil Rise				
Power Factor (Min)	40%			
Input Watts	85 W			
Efficiency				
NOM. Open Circuit Voltage	120			
Input Voltage At Lamp Dropout				
Min Ambient Starting Temp	-40°F/-40°C			
60 HZ TEST PROCEDURES				
High Potential Test (Volts)				
1 Minute	2,000 V			
1 Second	2,500 V			
Open Circuit Voltage Test (V)	110 - 135			
Short Circuit Current Test (A)				
Secondary Current	Min .00			
Max .00				
Input Current	Min			
Max				
CORE and COIL Specifications				
Dimension (A)	1.29 in			
Dimension (B)	2.55 in			
Weight	3.0 lb's			
Lead Lengths	12"			
Capacitor Requirement				
Microfarads				
Volts (Min)				



Capacitor: NONE Ignitor: BVS-004-A
 Case Temp (Max): 105 °C
 Volts (Max): V BTL Distance (Max): 12 ft

This Ballast Does Not Require A Capacitor



Ordering Information Add Suffix for options
 C - With Capacitor
 K - Prewired, with Capacitor and Bracket Kit
 B - With Welded Bracket, no cap
 CB - With Capacitor and Welded Bracket

RoHS compliant on all manufactured products after August 1, 2007
 Data is based upon tests performed by Venture Lighting in a controlled environment and is representative of relative performance. Actual performance can vary depending on operating conditions. Specifications are subject to change without notice.

