

1000W M47

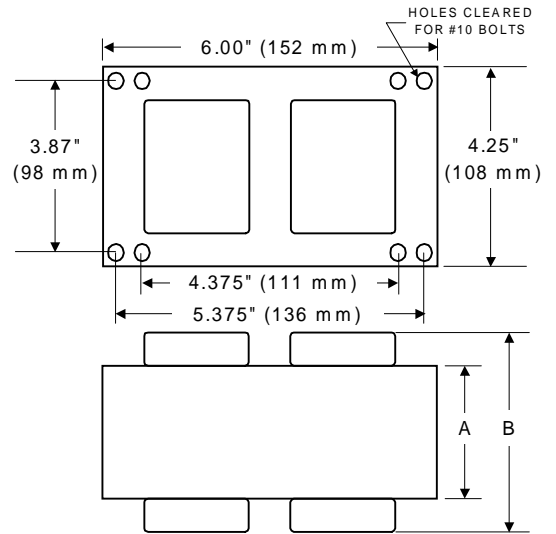
Metal Halide

V90Y6514T

60 Hz CWA

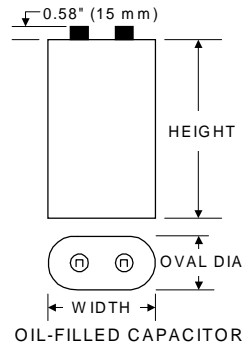
Input Volts	480
Line Current (Amps)	
Operating	2.25
Open Circuit	1.60
Starting	1.60
Regulation	
Line Volts	±10%
Lamp Watts	±10%
UL Temperature Ratings	
Insulation Class	H
Coil Temperature Code	C
Benchtop Coil Rise	83.5
Input Watts	1080 W
NOM. Open Circuit Voltage	420
Power Factor	90%
Current Crest Factor	1.60
Input Voltage At Lamp Dropout	340
MIN. Ambient Starting Temp.	-20°F -30°C
60 HZ TEST PROCEDURES	
High Potential Test (Volts)	
1 Minute	1,650 V
1 Second	2,000 V
Open Circuit Voltage Test (V)	380 - 460
Short Circuit Current Test (A)	
Secondary Current	Min 4.75
	Max 5.85
Input Current	Min 1.10
	Max 1.70
Recommended Fuse (Amps)	6
CORE and COIL Specifications	
Dimension (A)	2.82 in
Dimension (B)	4.85 in
Weight (lbs.)	21.0 lb's
Lead Lengths	12"
CAPACITOR Specifications	
Microfarads	24.0 uf
Volts (min.)	480 V

4X6 CORE - HX, CWA & CWI UNITS



Capacitor: ACB2200V **Ignitor: None**

Temp Rating: 90 °C
Height: 4.37 in
Dia/Oval Dim 1.97 in
Width 2.97



Ordering Information Add Suffix for options

- C - With Capacitor
- K - With Capacitor and Bracket Kit
- B - With Welded Bracket no cap

Data is based upon tests performed by Venture Lighting in a controlled environment and is representative of relative performance. Actual performance can vary depending on operating conditions. Specifications are subject to change without notice

12/8/00 Production

