

Model Number:

Type:

Job:

Approvals:

6 and 12 volt, 18 to 150 watts
New York City and Chicago Approved

FEATURES

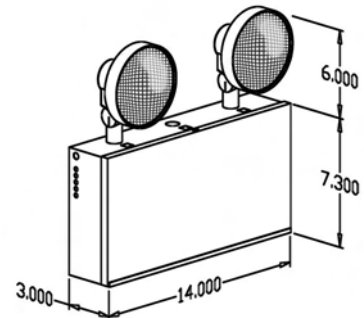
- 6 volt and 12 volt system
- 18, 36, 54 and 72W (6 volt)
- 36, 54, 72, 100, 125W, and 150W (12 volt)
- Maintenance-free, sealed lead acid batteries
- Battery lockout circuit
- LVD - low voltage disconnect
- Choice of lamp heads
- Temperature compensation and brown-out circuit
- High charge and AC ready
- LED indicator light
- 120/277 VAC
- 220 volt 50Hz operation is available by special order
- Rugged 20 gauge steel housing
- Units available in white or black powder coated finish
- Short circuit protected
- ETL listed
- Optional Time Delay



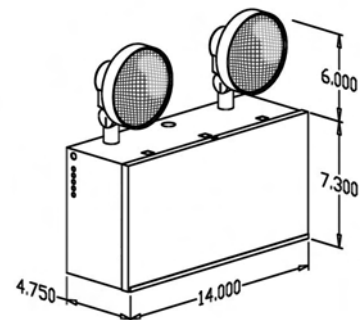
The Steel Life-Lite Series combines performance and dependability into a rugged 20 gauge enclosure. Available in a wide variety of battery wattages and lamp styles to compliment any application.

DIMENSIONS

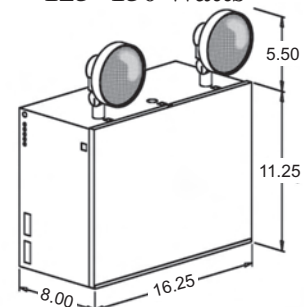
18-54 Watts



75-100 Watts



125 -150 Watts



SPECIFICATIONS ARE SUBJECT
TO CHANGE WITHOUT NOTICE



ILLUMINATION

Illumination is accomplished with one or two thermoplastic or metal lamp heads mounted on top of the unit. The LL6 and the LL12 series can accommodate up to three lamp heads. Most often specified is Exitronix round thermoplastic 9 watt H.I.T. lamp heads.

HOUSING

Constructed of 20 gauge steel with a black or white corrosion resistant, epoxy powder coat finish. Easily mounted with universal knock-out pattern or shelf mounting. Includes a low profile test switch on side of unit.

ELECTRONICS

120/277 VAC dual voltage input with surge protected, solid state circuitry provides for a reliable charging system. Charging system is complete with low voltage disconnect, AC lockout, brownout protection, AC indicator lamp and test switch.

BATTERY

Maintenance-free, sealed Lead Acid Battery performs in an an operating temperature range of 65°F (19°C) to 85°F (30°C). Batteries supply 90 minutes of emergency power. Battery lockout circuit allows battery to be connected even when AC power is not available.

ORDERING INFORMATION

LL6	18	A	1	B	MS
MODEL	WATTAGE	LAMP HEADS	# OF HEADS	COLOR	OPTIONS
LL6 = 6 Volt LL12 = 12 Volt	6 Volt 18 27 36 54 72 12 Volt 36 54 72 100 125 150	6V TUNGSTEN WEDGE BASE T2A = 7.2 Watt T3A = 9.0 Watt 6V HALOGEN T9A = 12 Watt 12V TUNGSTEN WEDGE BASE T4A = 9.0 Watt T5A = 12.5 Watt T6A = 17.9 Watt 12V SEALED BEAM HALOGEN R11G = 8 Watt R12G = 12 Watt R15G = 35 Watt <i>(Suggested heads are listed above)</i>	0 = No Head 1 = 1 Head 2 = 2 Heads 3 = 3 Heads 4 = 4 Heads	B = Black W = White	G2 = Self Test / Self Diagnostics G2AA = G2 w/Audible Alarm VM = Volt Meter AM = Ammeter TA = 120V Time Delay TB = 277V Time Delay LC = 3' Line Cord

CONFORMANCE TO CODES & STANDARDS

Exitronix products are electrically safe and meet or exceed the following: UL 924, N.E.C., OSHA, and N.F.P.A. Life Safety Code 101.

TIME DELAY OPTION

Our Time Delay option is programmed to keep the incandescent lamp heads illuminated for 15 minutes after the restoration of AC power. This time period may be factory modified to meet specific needs. Please specify either 120VAC or 277VAC input.

WARRANTY

Any component that fails due to manufacturer's defect is guaranteed for 3 years, with a 5 year prorated warranty on the battery. Warranty does not apply to damages caused by improper installation, abuse, fire or acts of God.

YOUR LOCAL REPRESENTATIVE IS:

EXITRONIX™

A DIVISION OF THE

BARRON LIGHTING GROUP

1911 W. Parkside Lane • Phoenix, AZ 85027

(800) 533-3948 • Fax: (623) 580-8948

www.exitronix.com • www.barronltg.com