

Model Number:

Approvals:

Type:

Job:

### WET LOCATION RATED

Lead Calcium, 6 Volt, 18 - 25 Watts

#### ILLUMINATION

Illumination is accomplished with externally mounted outdoor rated heads. The standard unit comes with two 7.2 Watt 6 Volt lamp heads.

#### HOUSING

Constructed of impact-resistant, UV-stabilized, corrosive-resistant, ABS plastic. One piece molded gasket provides protection for use in wet and non-hazardous dust locations.

#### ELECTRONICS

120/277 VAC dual voltage input with surge-protected, solid-state circuitry which provides for a reliable charging system. Charging system is complete with solid-state, line-latched, brown-out protection, low-voltage disconnect, which protects the battery from deep discharge. Sealed momentary test switch provides easy testing of battery.

#### BATTERY

Maintenance-free, sealed lead calcium battery has an estimated life of 10 years at an operating temperature of 65°F (19°C) to 85°F (30°C). Battery supplies 90 minutes of emergency power.

#### WARRANTY

Electronics warranted for a full 3 years from date of purchase. Battery is one full year plus 4 years pro-rated.

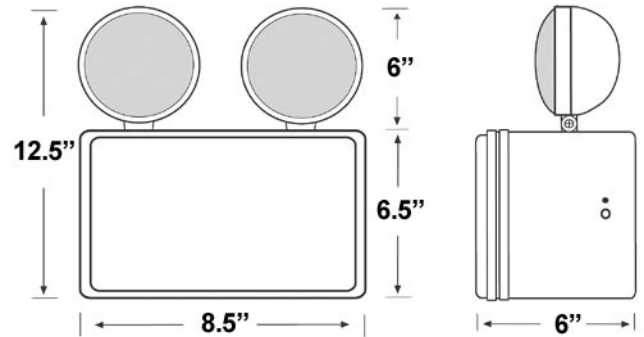
#### CONFORMANCE TO CODES & STANDARDS

Exitronix products are electronically safe and meet or exceed the following: UL 924, NEC, OSHA and N.F.P.A. Life and Safety Code 101.



The LRX Emergency Light is approved for Wet Location areas. It is ideal for locations where water, non-hazardous dust, and corrosive atmospheres are present.

#### DIMENSIONS



#### ORDERING INFORMATION

LRX	18	B1D	2
SERIES	BATTERY WATTAGE	LAMP HEADS	# OF HEADS
LRX = 6 Volt	<u>6 Volt Lead Calcium</u> 18 = 18 Watt 25 = 25 Watt	B1D = 7.2 Watt	0 = 0 Heads 2 = 2 Heads

