

Model Number:

Type:

Job:

Approvals:

## STANDARD FEATURES

- Unique "swingarm" lamp heads can be mounted on the side or top of the unit without disassembly or rewiring
- Fully adjustable 5.4 watt lamp heads
- Red or green high intensity LEDs
- Contractor friendly, snap-together design
- Constant uniform illumination
- Universal configuration, single or doubleface
- Wall or ceiling mounted
- Available in white or black
- UV stable, thermoplastic components
- UL 94V-0 flame rating
- Mounting canopy included
- Field-selectable universal arrows
- 120/277V dual primary 60Hz input
- Low voltage disconnect
- Damp location listed
- 5 year warranty
- UL 924 Listed



The re-engineered VEX-EL95 series combination emergency exit is even more "contractor friendly" than ever. The fully adjustable lamp heads can be configured for top mounted, side mounted, or anywhere in between without disassembly or re-wiring. Constructed of durable, UV stabilized thermoplastic, the VEX-EL95 will provide years of reliable service. Universal configuration takes the guesswork out of ordering, all units come complete with two exit faces, backplate, and mounting canopy. Egress lighting is provided by two 6 volt, 5.4 watt T5 wedge based lamps. An optional battery is available which provides up to 12 watts of remote lamp load. Damp location rating is standard on all units. The VEX-EL95 is UL Listed, and conforms to all applicable standards and codes.

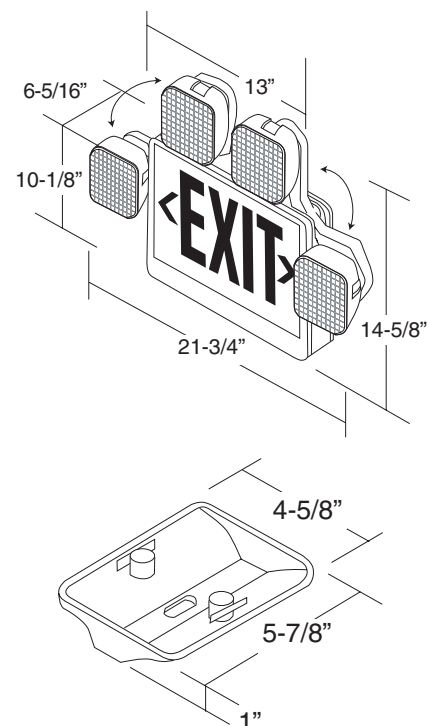
## BATTERY

- Maintenance-free, sealed lead-calcium battery
- Additional battery available for 12 watts of remote load or extended run time unit.

## WARRANTY

Any component that fails due to manufacturer's defect is guaranteed for 5 years with a separate 5 year pro-rated warranty on the battery. The warranty does not cover physical damage, abuse or acts of God and Exitronix reserves the right to charge for such repairs if deemed necessary.

## DIMENSIONS



SPECIFICATIONS ARE SUBJECT  
TO CHANGE WITHOUT NOTICE



## CONSTRUCTION

Housing, faces, backplate, and canopy are constructed of injection-molded, UV stabilized thermoplastic. All components are U.L. 94V-0 flame rated.

## EXIT FACE

6" letters with 3/4" stroke, meets U.L. 924 requirements. Red or green diffuser offers a bright, uniform illumination.

## ARROWS

Field selectable, directional chevrons are easily removed and reinserted.

## ILLUMINATION

High output red or green LEDs with a life expectancy in excess of 25 years.

## INSTALLATION

Interchangeable stencil face and/or backplate snap-together design. Unit mounts easily to wall or ceiling using canopy that locks securely without the need for tools.

## CODE COMPLIANCE

The VEX-EL95 Series meets or exceeds all performance standards as required by UL 924, NFPA 70, NFPA 101, NEC and OSHA. Meets state of Minnesota energy efficient legislation requiring less than 20 watts of power consumption.

## ELECTRONICS

Input: 120/277VAC, 60 Hz.

Protection: Built-in surge, transient and low battery voltage disconnect. Suitable for damp location.

## EMERGENCY OPERATION

Charger: Solid-state, constant current type.

Transfer: Solid-state design.

Recharge Time: 24 hours.

Test Means: Integral test switch.

Indicators: AC LED indicator.

## BATTERY

Long life, maintenance-free sealed lead-calcium battery is standard. Optional battery configuration allows for 12 watts of remote lamp load or extended unit run time (see ordering information).

## LAMPS

Unit features (2) 6 volt 5.4 watt T5 wedge base lamps that illuminate in emergency mode.

## ORDERING INFORMATION

LED COLORS	MODEL	FACE STYLE	POWER	COLOR	COMBINATION UNITS	OPTIONS
Blank = Red G = Green	VEX	U = Universal (includes 2 face plates, back plate and mounting canopy)	WB = With Battery	WH = White BL = Black	EL95 = Two 5.4 Watt Lamps	R = Remote Capable WG = Wire Guard

**Example: GVEX-U-BP-WB-WH-EL95-R**

**YOUR LOCAL REPRESENTATIVE IS:**

# EXITRONIX™

A DIVISION OF THE

**BARRON LIGHTING GROUP**

1911 W. Parkside Lane • Phoenix, AZ 85027

(800) 533-3948 • Fax: (623) 580-8948

[www.exitronix.com](http://www.exitronix.com) • [www.barronltg.com](http://www.barronltg.com)