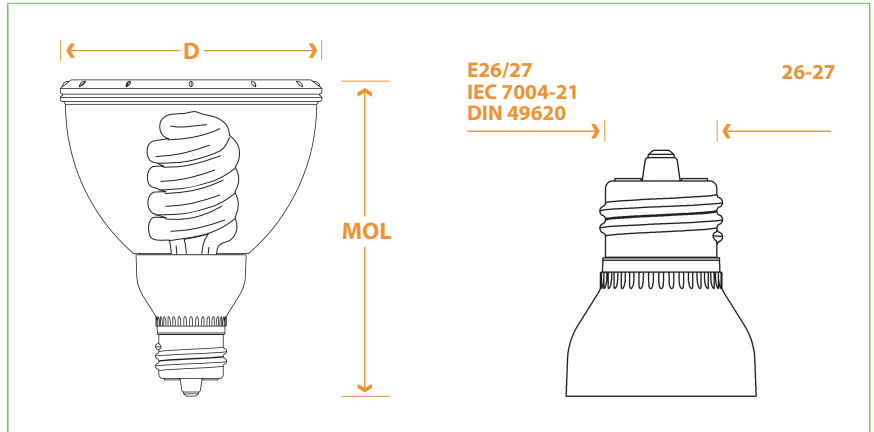


CFL-PAR™ 30

ELECTRONIC FLOODLIGHT

New! Product Information Bulletin



Technical Data

CFL-PAR™ 30 Electronic, NPF, Medium Base (E26/27), 120VAC- 50/60Hz, 6,000 Hours Average Life											HALOGEN-PAR 30		
Item Number	Watts	Input Line Current	Power Factor	THD	M.O.L. (Inches)	(D) Diameter (Inches)	Color Temp. (°K)	CRI	Lumens	Lm/W	Watts	Lumens	Lm/W
93022	22	0.33A	>0.50	<150%	5.125	3.7	2850	>82	930	45.0	65	930	14.4
93019*	19	0.28A	>0.50	<150%	5.125	3.7	2850	>82	800	45.0	60	800	13.3
93014*	14	0.21A	>0.50	<150%	5.125	3.7	2850	>82	630	45.0	45	630	14.0
93011*	11	0.16A	>0.50	<150%	5.125	3.7	2850	>82	500	45.0			

APPLICATION INFORMATION TO BE USED WITH TRACK LIGHTS • RECESSED CANS • WARDROBE CLOSETS • DRIVEWAYS • WALKWAYS • YARDS & GARDENS OPEN & TOTALLY ENCLOSED FIXTURES • USE WITH OCCUPANCY SENSORS MADE BY NEPTUN • AND MORE

Features and Benefits

- * New! Patented design for direct replacement of halogen Par30 lamps
- * Exact size as Halogen Par30
- * Saves up to 70% energy with comparable light output
- * Color Temperature of 2850°K : Interior Designer's Choice
- * 60° Floodlight Reflector
- * High Luminous Efficiency: Up to 50 Lm/W
- * Wide range of operation temperatures: 0°F - 120°F
- * New! Patented Amalgam Technology: Any working position with stable light output
- * Superior Lumen Maintenance of above 80% after 6,000 hours of use
- * Electronic ballast with End of Life Protection
- * Indoor or Outdoor

NEPTUN LIGHT, Inc.
 service@neptunlight.com
 Tel. 1-847-735-8330
 Toll Free: 1-888-735-8330



© Copyright 2006 NEPTUN LIGHT, Inc.

