

### PROTECTED POWERSTRIKE™ PULSE START METAL HALIDE LAMPS

Uniform Technology  
High Efficiency, Long Life  
Enclosed Fixtures

Watts	Bulb	Item#	Description	ANSI	Lumens		Dimensions		Avg. Life (Hours)	Color		Case		Manufacture Production Code
					Initial (lm)	Mean (lm)	MOL (in)	LCL (in)		Temp (K)	CRI	Qty.	Finish	
Protected Powerstrike™ Pulse Start Metal Halide Lamps - Mogul Screw Base														
*350	ED28-P	1649	MP350/ED28/C/PS/BU/3K	M131/O,M135/O,M155/O	32000	23000	8.31	5.00	20000	3200	70	Coated	12	N03509382312
350	ED28-P	1619	MP350/ED28/PS/BU/4K	M131/O,M135/O,M155/O	33000	24500	8.31	5.00	20000	4200	65	Clear	12	N03509381412
350	ED28-P	1620	MP350/ED28/C/PS/BU/4K	M131/O,M135/O,M155/O	32000	23000	8.31	5.00	20000	4000	70	Coated	12	N03509382412
350	ED28-P	1558	MP350/ED28/PS/VI/4K	M131/O,M135/O,M155/O	33000	24500	8.31	5.00	20000	4200	65	Clear	12	N03509381402
*350	ED28-P	1559	MP350/ED28/C/PS/VI/4K	M131/O,M135/O,M155/O	32000	23000	8.31	5.00	20000	4000	70	Coated	12	N03509382402
*350	ED37-P	1621	MP350/ED37/C/PS/BU/3K	M131/O,M135/O,M155/O	32000	23000	11.50	7.00	20000	3200	70	Coated	12	N03509372312
350	ED37-P	1622	MP350/ED37/PS/BU/4K	M131/O,M135/O,M155/O	33000	24500	11.50	5.00	20000	4200	65	Clear	12	N03509371412
*350	ED37-P	1623	MP350/ED37/C/PS/BU/4K	M131/O,M135/O,M155/O	32000	23000	11.50	7.00	20000	4000	70	Coated	12	N03509372412
350	ED37-P	1560	MP350/ED37/PS/VI/4K	M131/O,M135/O,M155/O	33000	24500	11.50	7.00	20000	4200	65	Clear	12	N03509371402
*350	ED37-P	1561	MP350/ED37/C/PS/VI/4K	M131/O,M135/O,M155/O	32000	23000	11.50	7.00	20000	4000	70	Coated	12	N03509372402
400	ED28-P	1565	MP400/ED28/PS/BU/4K	M155/O,M135/O	42000	33600	8.31	5.00	20000+	4200	65	Clear	12	N04009381402
400	ED28-P	1566	MP400/ED28/C/PS/BU/4K	M155/O,M135/O	40000	32000	8.31	5.00	20000+	4000	70	Coated	12	N04009382402
400	ED37-P	1563	MP400/ED37/PS/BU/4K	M155/O,M135/O	42000	33600	11.50	7.00	20000+	4200	65	Clear	12	N04009371402
400	ED37-P	1564	MP400/ED37/C/PS/BU/4K	M155/O,M135/O	40000	32000	11.50	7.00	20000+	4000	70	Coated	12	N04009372402
450	ED37-P	1631	MP450/ED37/PS/BU/4K	M144/O	47000	37000	11.50	7.00	20000+	4000	68	Clear	12	N04509381402
450	ED37-P	1632	MP450/ED37/C/PS/BU/4K	M144/O	45000	36000	11.50	7.00	20000+	3700	70	Coated	12	N04509382402
575	BT37-P	1633	MP575/BT37/PS/VI/4K		60000	48000	11.50	7.00	20000+	4000	68	Clear	12	N05759371402
575	BT37-P	1634	MP575/BT37/C/PS/VI/4K		57000	45000	11.50	7.00	20000+	3700	70	Coated	12	N05759372402
875	BT37-P	1635	MP875/BT37/PS/BU/4K	M166/O	95000	76000	11.50	7.00	20000+	4000	68	Clear	12	N08759371402
875	BT37-P	1636	MP875/BT37/C/PS/BU/4K	M166/O	90000	72000	11.50	7.00	20000+	3700	70	Coated	12	N08759372402
1000	BT37-P	1637	MP1000/BT37/PS/BU/4K	M141/O	105000	80000	11.50	7.00	20000+	4000	68	Clear	12	N10009371402
1000	BT56-P	1524	MP1000/BT56/PS/BU/4K	M141/O	105000	80000	15.38	9.50	12000+	4200	65	Clear	12	N10009371402

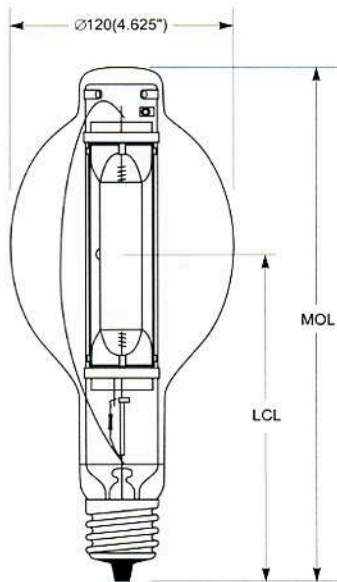
\* Items only available for special orders

All measurements are shown in inches unless noted

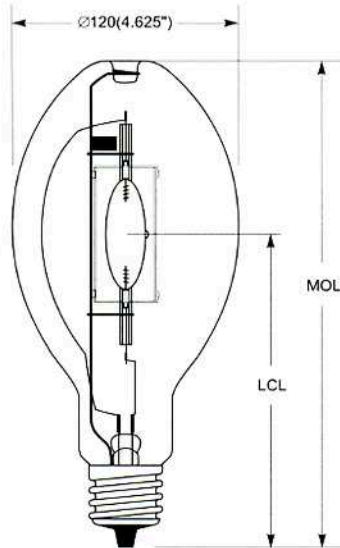
Manage in Accordance with Disposal Laws

See: [www.htr-group.com](http://www.htr-group.com) or 1-888-537-4874

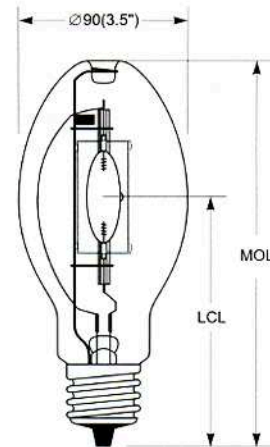
See page 18/19/20 for safety handling and warning purposes



BT37-P  
EX39 Base



ED37-P  
EX39 Base



ED28-P  
EX39 Base