

STANDARD METAL HALIDE LAMPS

High Efficacy, Long Life
Enclosed Fixtures

HIGH INTENSITY DISCHARGE LAMPS

Watts	Bulb	Item#	Description	ANSI	Lumens		Dimensions		Avg. Life (Hours)	Color		Case		Manufacture Production Code
					Initial (lm)	Mean (lm)	MOL (in)	LCL (in)		Temp (K)	CRI	Finish	Qty.	
Metal Halide Lamps - Medium Screw Base														
50	ED17	1000	MH50/ED17/U/4K	M110/E	3400	2200	5.44	3.38	10000V/7500H	4200	65	Clear	12	M00506171402
50	ED17	1001	MH50/ED17/C/U/4K	M110/E	3200	2100	5.44	3.38	10000V/7500H	4000	70	Coated	12	M00506172402
*70	ED17	1069	MH70/ED17/U/3K	M98/E	5600	3600	5.44	3.38	15000V/10000H	3200	65	Clear	12	M00706171302
*70	ED17	1070	MH70/ED17/C/U/3K	M98/E	5300	3400	5.44	3.38	15000V/10000H	3200	70	Coated	12	M00706172302
70	ED17	1002	MH70/ED17/U/4K	M98/E	5600	3600	5.44	3.38	15000V/10000H	4200	65	Clear	12	M00706171402
70	ED17	1003	MH70/ED17/C/U/4K	M98/E	5300	3400	5.44	3.38	15000V/10000H	4000	70	Coated	12	M00706172402
*100	ED17	1071	MH100/ED17/U/3K	M90/E	9000	5900	5.44	3.38	15000V/10000H	3200	65	Clear	12	M01006171302
*100	ED17	1072	MH100/ED17/C/U/3K	M90/E	8500	5500	5.44	3.38	15000V/10000H	3200	70	Coated	12	M01006172302
100	ED17	1004	MH100/ED17/U/4K	M90/E	9000	5900	5.44	3.38	15000V/10000H	4200	65	Clear	12	M01006171402
100	ED17	1005	MH100/ED17/C/U/4K	M90/E	8500	5500	5.44	3.38	15000V/10000H	4000	70	Coated	12	M01006172402
150	ED17	1006	MH150/ED17/U/4K	M102/E	14000	10500	5.44	3.38	15000V/10000H	4200	65	Clear	12	M01506171402
150	ED17	1007	MH150/ED17/C/U/4K	M102/E	13300	10000	5.44	3.38	15000V/10000H	4000	70	Coated	12	M01506172402
175	ED17	1008	MH175/ED17/U/4K	M57/E	17500	12800	5.44	3.38	10000V/7500H	4200	65	Clear	12	M01756171402
175	ED17	1009	MH175/ED17/C/BU/4K	M57/E	16600	12500	5.44	3.38	10000V/7500H	4000	70	Coated	12	M01756172402

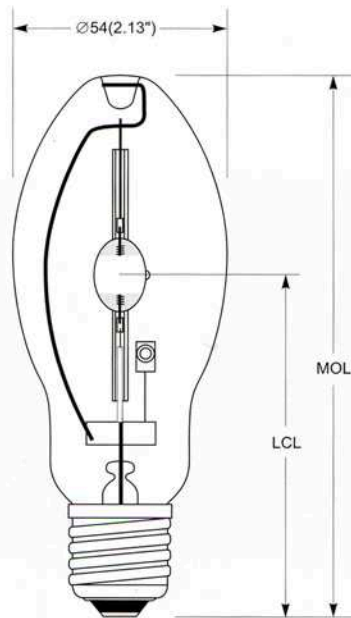
* Items only available for special orders

All measurements are shown in inches unless noted

Manage in Accordance with Disposal Laws

See: www.htr-group.com or 1-888-537-4874

See page 18/19/20 for safety handling and warning purposes



ED17
E26 Base