

A19: RETHINKING THE EDISON

Traditional Form Meets Revolutionary Technology



Created with the most advanced thermal control materials available, the A19 is unmistakably lighter and more efficient than ever before. This LED lamp truly replicates the form, weight and function of an 40W incandescent A19.



BEYOND TRADITIONAL

- High efficacy of up to 60 lm/w
- Dimmable down to 5% of light output
- Heatsink composed of advanced Thermally Conductive materials to achieve better thermal management and lighter weight


LightingScience[®]
Welcome to the Light Ages[™]

©2013 Lighting Science Group Corporation[®]. All rights reserved.

877-999-5742 | www.lightages.com
1227 South Patrick Drive | Satellite Beach, FL 32937

A19

Part Number	Base Type	Wattage	Lumens	Efficacy	CRI
DFN A19 40WE NW 120	E26	8W	470	58	82
DFN A19 40WE WW 120	E26	8W	450	56	82
DFN A19 40WE W27 120	E26	8W	450	56	82
DFN A19 40WE CW 120	E26	8W	480	60	82

NW: Neutral White WW: Warm White W27: Warm White 2700K CW: Cool White

ORDERING INFORMATION \ \ DFN A19 40WE W27 120

Family	Product	Wattage Equivalency	Color (CCT)	Voltage
DFN Definity	A19 A19	40WE 40 Watt Equivalent	W27 Warm White 2700K	120 120 Volts
			WW Warm White 3000K	
			NW Neutral White 4000K	
			CW Cool White 5000K	

NORTH AMERICAN
CERTIFICATIONS

ENVIRONMENT



Standard
Incandescent

Wattage
40W

Lifetime
1,000 hrs



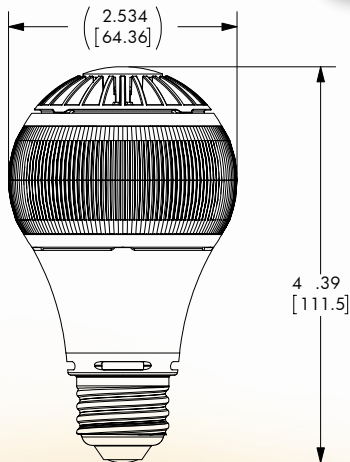
Up to **80%** energy savings



A19 40WE

Wattage
8W

Lifetime
50,000 hrs



LightingScience[®]
Welcome to the Light Ages[™]

©2013 Lighting Science Group Corporation[®]. All rights reserved.

877-999-5742 | www.lightages.com
1227 South Patrick Drive | Satellite Beach, FL 32937