
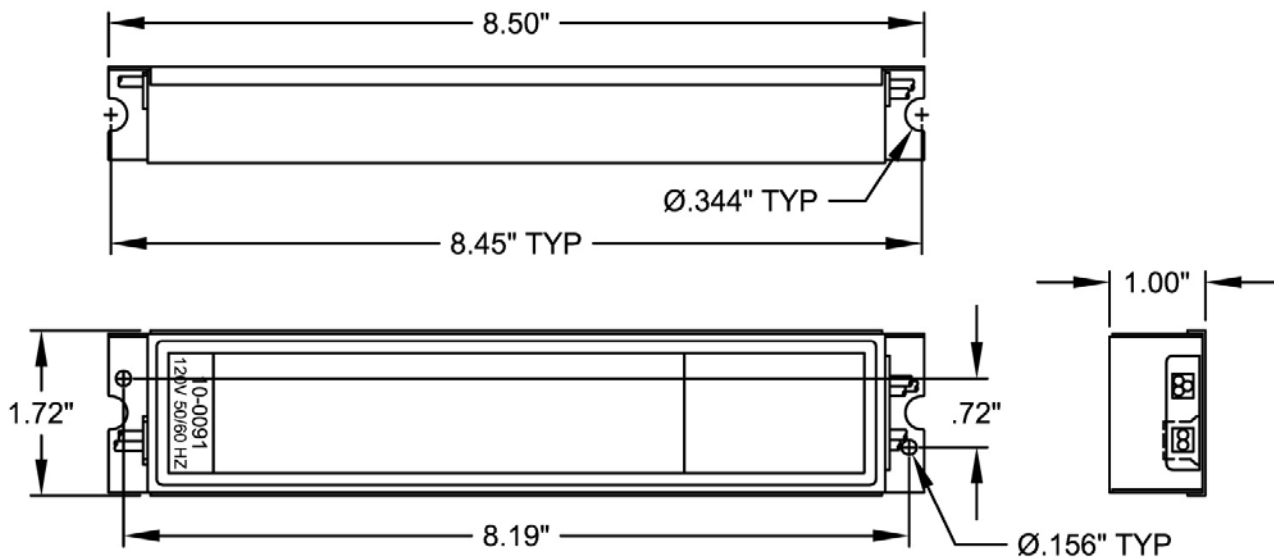


**Specifications**

Regulatory Approvals:	UL® Listed Fluorescent Lamp Ballast Class P, Type 1 or 2 Outdoor "Type HL" Approved.  Suitable for "Air Handling Spaces".
Performance:	Meets FCC Part 18 Class A for RFI & EMI
Starting Mode:	Instant Start
Lamp Type:	See Table
Input Line Voltage:	120 Volts AC ± 10%
Line Frequency:	50/60 Hertz
ATHD:	Meets ANSI C82.11-1993
Current (Max.):	1.15 Amps
Power (Max.):	128 Watts
Power Factor:	High (>90%)
Protection - Over Current:	Internal Fuse
Protection - Voltage Transients:	MOV (per ANSI C82.11-1993)
Open Circuit Voltage (Max.):	600 Volts RMS
Ballast Start Temperature (Min.):	- 20°F (- 28°C)
Ballast Case Temperature (Max.):	158°F (70°C)
Sound Rating:	A
Weight:	14-ounces
Lead Length:	Black/White - 18-inches    Red/Yellow - 36-inches

**Applications**

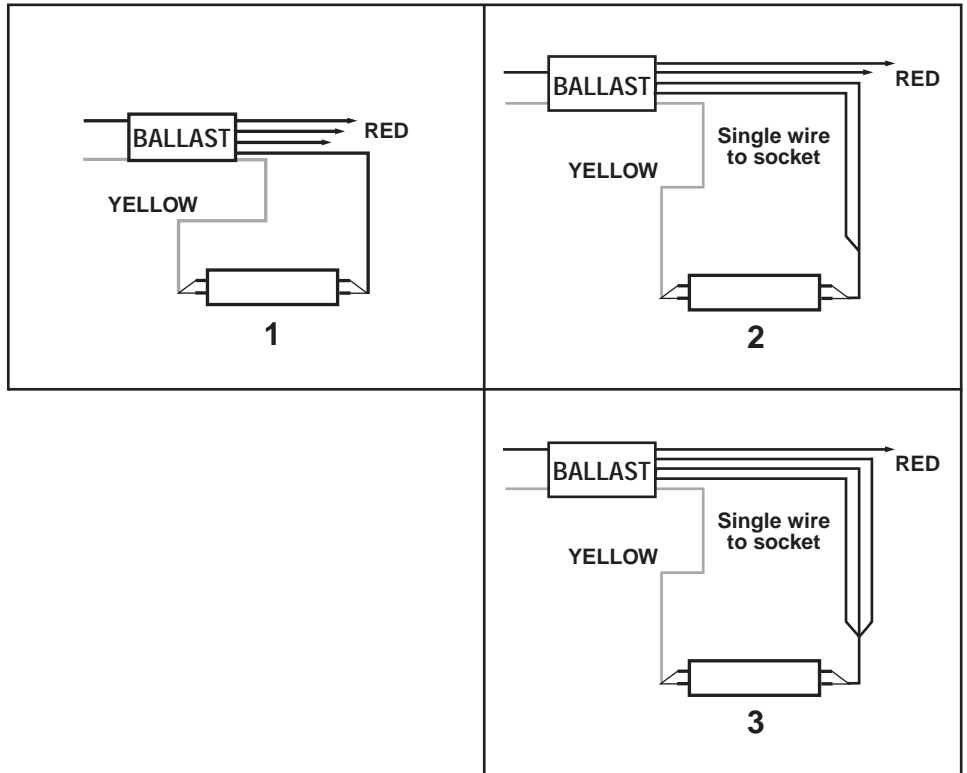
1. Add jumper between socket contacts, of the lampholder, before connecting the RED and YELLOW wires.
2. Ground case in accordance with the National Electric Code.
3. Remote mounting distance varies with lamp type, consult factory with requirements.
4. Cap and insulate any unused RED wire.
5. When connecting two RED wires, they must be joined to make one wire before connecting to the lampholder.



**Figure 1- Dimensional Data**

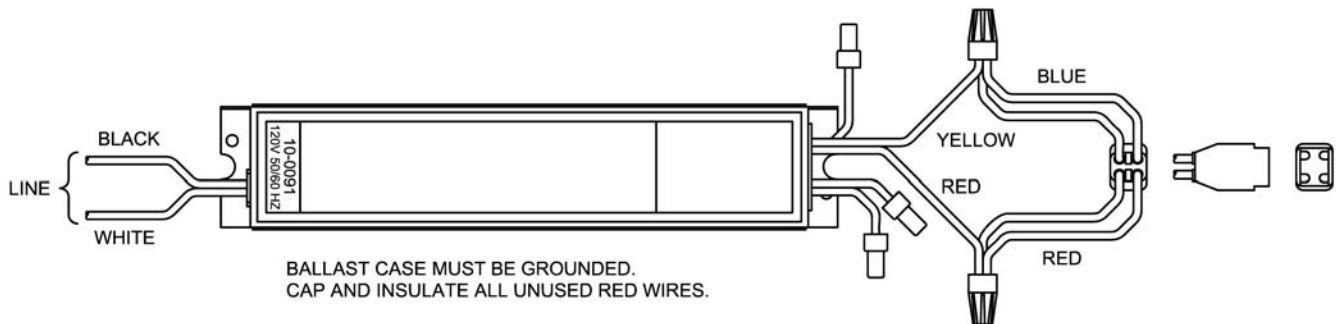
Lamp Type	Wiring Diagram
GPH330T5L	1
G10T5 1/2L	1
GPH357T5L	1
G18T6L	1
GPH436T5L	1
GPH436T5L/HO	2
GPH450T5L	1
GPH463T5L	1
G24T6L	1
GPH620T5L/4	1
G30T6L	1
GPH793T5L/4	1
GPH810T5L/4	1
G36T6L	1
GHO36T5	3
G48T6L	1
G64T6L	1

**Table 1 - Lamp Types**



**Table 2 - Wiring Diagrams**

**Connections**



**Figure 2 - Typical Connections From Instant Start Ballast For Use With Preheat Lamps (See Wiring Diagram 1)**