

Compact Florescent Program Start Series Lamp Operation

EP2/42CF/MV/K

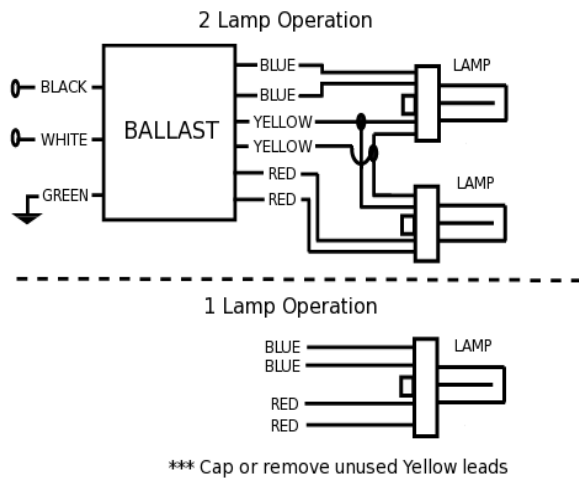
Lamp Type	No. of Lamps	Lamp Watts	Line Voltage	Ballast Factor	Input Watts	Input Current (amps)	Power Factor	THD	Ballast Efficacy Factor
T5CR22W	2	22	120	1.09	52	0.19	0.97	<11%	2.09
T5CR22W	2	22	277	1.09	52	0.19	0.97	<11%	2.09
24/27CFSE	1	24	120	1.06	27	0.23	0.99	<10%	3.95
24/27CFSE	1	24	277	1.06	27	0.11	0.92	<22%	3.89
24/27CFSE	2	24	120	1.04	51	0.19	0.97	<11%	2.04
24/27CFSE	2	24	277	1.04	51	0.19	0.97	<11%	2.04
26CFDE	2	26	120	1.03	55	0.47	0.97	<11%	1.87
26CFDE	2	26	277	1.03	55	0.20	0.97	<11%	1.87
26CFTE	2	26	120	1.03	56	0.21	0.97	<10%	1.83
26CFTE	2	26	277	1.03	56	0.21	0.97	<10%	1.83
2D28W	1	28	120	1.21	33	0.28	0.99	<10%	3.65
2D28W	1	28	277	1.21	33	0.13	0.95	<15%	3.66
2D28W	2	28	120	1.18	61	0.22	0.98	<10%	1.95
2D28W	2	28	277	1.18	61	0.22	0.98	<10%	1.95
32CFTE	2	32	120	0.88	60	0.56	0.98	<10%	1.47
32CFTE	2	32	277	0.88	60	0.22	0.98	<10%	1.47
36CFSE	1	36	120	0.97	35	0.29	0.99	<10%	2.77
36CFSE	1	36	277	0.97	35	0.13	0.96	<14%	2.76
36TUV	1	36	120	0.83	34	0.28	0.99	<10%	2.47
36TUV	1	36	277	0.84	34	0.13	0.96	<15%	2.46
36CFSE	2	36	120	0.93	65	0.55	0.98	<10%	1.42
36CFSE	2	36	277	0.93	65	0.24	0.98	<10%	1.42
36TUV	2	36	120	0.76	63	0.23	0.98	<10%	1.22
36TUV	2	36	277	0.76	63	0.23	0.98	<10%	1.22
2D38W	1	38	120	0.86	32	0.27	0.99	<10%	2.68
2D38W	1	38	277	0.85	32	0.12	0.94	<15%	2.65
GPH793T5L	1	38	120	0.81	35	0.29	0.99	<10%	2.34
GPH793T5L	1	38	277	0.81	35	0.13	0.95	<14%	2.33
2D38W	2	38	120	0.83	63	0.23	0.98	<10%	1.32
2D38W	2	38	277	0.83	63	0.23	0.98	<10%	1.32
GPH793T5L	2	38	120	0.82	65	0.24	0.98	<10%	1.27
GPH793T5L	2	38	277	0.82	65	0.24	0.98	<10%	1.27
40CFSE	1	40	120	1.07	47	0.40	0.99	<10%	2.26
40CFSE	1	40	277	1.06	47	0.17	0.97	<12%	2.27
T5CR40	1	40	120	0.92	41	0.34	0.99	<10%	2.25
T5CR40	1	40	277	0.92	41	0.15	0.96	<13%	2.25
40CFSE	2	40	120	1.03	88	0.75	0.98	<10%	1.17
40CFSE	2	40	277	1.03	88	0.32	0.98	<10%	1.17
T5CR40W	2	40	120	0.90	76	0.28	0.98	<10%	1.18
T5CR40W	2	40	277	0.90	76	0.28	0.98	<10%	1.18
42CFTE	1	42	120	0.94	46	0.38	0.99	<10%	2.06
42CFTE	1	42	277	0.96	46	0.17	0.97	<12%	2.07
42CFTE*	2	42	120	0.98	88	0.32	0.98	<10%	1.11
42CFTE*	2	42	277	0.98	88	0.32	0.98	<10%	1.11
CFM57	1	57	120	0.85	54	0.44	0.99	<10%	1.58
CFM57	1	57	277	0.87	53	0.20	0.98	<11%	1.63
CFM70	1	70	120	0.98	75	0.63	0.99	<10%	1.30
CFM70	1	70	277	0.98	73	0.27	0.98	<10%	1.33

* Primary lamp design

Ballast Specifications

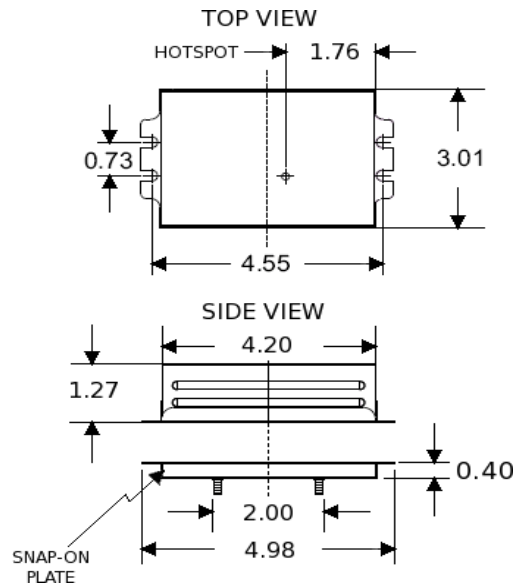
- Ballast shall have a five year warranty with maximum case temperature of 70°C or three year warranty with maximum case temperature of 90°C.
- Ballast shall be UL certified.
- Ballast shall be sound rated Class A.
- Ballast shall be Class P Type 1 Outdoor.
- Ballast shall have a Lamp Current Crest Factor of <1.7.
- Ballast shall withstand line transients as specified in ANSI C62.41.
- Ballast shall comply with the limits of FCC Part 18C Class B (Consumer).
- Ballast shall have a lamp operating frequency greater than 40KHz.
- Ballast shall have color coded, dual entry poke-in connectors.
- Ballast shall have a 0°F minimum lamp starting temperature for primary lamp(s).
- Ballast shall be Program Start.
- Ballast shall be Series Lamp Operation.
- Ballast shall have a minimum Power Factor of 98% for primary lamp operation.
- Ballast shall operate within a +/- 10% of the ballast specified line voltage at an input frequency of 50Hz or 60Hz.
- Ballast shall have a maximum case hot spot temperature of 90°C.
- Ballast shall have end of lamp life protection.
- Ballast shall have auto restart.
- Ballast shall ignite lamps within 900 ms.

Wiring Diagram



Ballast must be grounded

Ballast Dimensions



Retail packaged kit contains:

- Dual entry poke-in connector ballast
- Snap-on plate
- Wire set
- Wire removing tool
- Mounting hardware – Nuts & washers

This ballast will operate the following lamps:

