



Miro Decorator Dimmer, Fan Controller and Multilocation Controller

Wired preset devices complement Wireless Miro Decorator products

Decorator styling compatible with screwless or standard Wall Plates

Control Paddle



Silent or 'de-humming' technology for buzz-free fan control operation

Air-gap switch ensures safe relamping

PROJECT
LOCATION/TYPE

Product Overview

Description

Miro Decorator Dimmer and Fan Controller operate most dimmable lighting loads and ceiling fans. Multilocation controllers provide convenient, easy-to-wire multi-way control. All devices feature decorator styling identical to Wireless Miro Decorator devices.

Operation: Dimmers

Users operate dimmers by pressing up or down on the paddle to raise or lower light levels. Tapping once recalls the preset light level. Dimmers may be used as stand-alone replacements for single-pole light switches. Universal Dimmers are recommended for all applications except for locations without a neutral wire. An incandescent dimmer is available for two-wire applications. Multilocation controllers allow full control of dimmers from additional locations.

Operation: Fan Controllers

The Fan Controller offers pushbutton operation with four speeds and OFF, as well as speed control via the paddle. They are capable of operating two ceiling fans from a single location. Users may also turn fans ON and OFF or adjust fan speed from multilocation controllers.

Deratings

Derate dimmers as follows:

	Maximum Capacity		
	Single Dimmer	Dimmer at end of multi-gang	Dimmer in middle of multi-gang
• Incandescent / Quartz Halogen	600W	500W	400W
• Magnetic Low Voltage	500W	400W	300W
• Electronic Low Voltage	500W	400W	300W
• Cold Cathode / Neon	500W	400W	300W
• Fluorescent:			
- 2 Wire	500W	400W	300W
- Compact	500W	400W	300W

Features

- Universal Dimmers are compatible with most load types
- Last level recall (preset)
- Patented overload and short-circuit protection
- Air-gap switch ensures safe relamping
- Square law dimming curve
- Multilocation controllers provide full control of Dimmers or Fan Controllers
- Soft start technology significantly extends lamp life by limiting inrush current
- Long life status LED
- Compatible with decorator wall plates

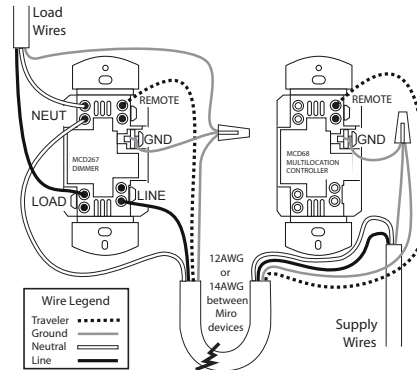
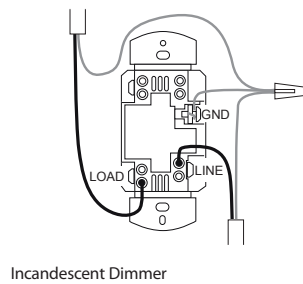


Specifications

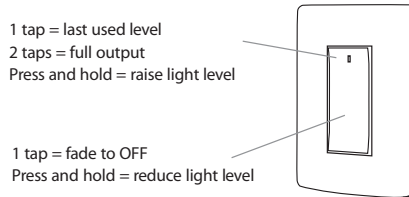
Load Types	Incandescent Dimmer	Universal Dimmer	Fan Controller	Multilocation Controller
Incandescent	•	•		
Dimmable magnetic low voltage		•		
Dimmable electronic low voltage		•		
Dimmable neon, cold-cathode		•		
Dimmable 2-wire fluorescent (Advance Mark X or equivalent)		•		
Ceiling fan(s)			•	
Electrical Specifications				
120 VAC	•	•	•	•
Neutral required		•	•	•
Air-gap isolation switch	•	•	•	
Short-circuit protection	•	•	•	
Operating Conditions				
Temperature: 32-104°F (0-40° C)	•	•	•	•
Humidity: 0-80%, non-condensing	•	•	•	•
UL, CUL listed; Five-year warranty	•	•	•	•
Dimensions				
DCD26 & DCD267 : 2.64"L x 1.75"W x 1.98"D; depth in wall 1.65" (67.1mm x 44.5mm x 50.3mm; D 41.9mm)				
DCF8 : 2.64"L x 1.75"W x 2.17"D; depth in wall 1.86" (67.1mm x 44.5mm x 55.2mm; D 47.2mm)				
DCD68 : 2.64"L x 1.75"W x 1.76"D; depth in wall 1.50" (67.1mm x 44.5mm x 54.6mm; D 38.1mm)				

Wiring & Operation

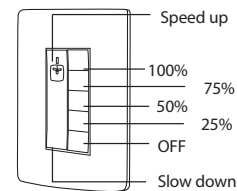
Wiring Diagrams



Dimmer and Multilocation Operation



Fan Controller Operation



Ordering Information

Catalog No.	Product Description	Voltage	Min Load	Max Load
<input type="checkbox"/> DCD26-x	Miro Decorator Incandescent Dimmer	120 VAC	60W	600W*
<input type="checkbox"/> DCD267-x	Miro Decorator Universal Dimmer	120 VAC	25W	600W*
<input type="checkbox"/> DCF8-x	Miro Decorator Fan Control	120 VAC	na	1.5A
<input type="checkbox"/> DCD68-x	Miro Decorator Multilocation Controller	120 VAC	na	na

In place of -x, please specify color when ordering. Specify -A for Light Almond, -B for Black, -I for Ivory, -W for White.

*Subject to derating when more than 1 dimmer is ganged together or when using non-incandescent loads types. Please refer to chart shown earlier on this cut sheet.