

EXITRONIX™

LED Exit Signs and Emergency Lighting

2019 W. Lone Cactus Dr.
Phoenix, Arizona 85027
(602) 580-3948 • (800) LED-EXIT
Fax (602) 580-8948

XEB-55

TBTS SERIES D
EMERGENCY
LIGHTING EQUIPMENT

INSTRUCTION MANUAL

IMPORTANT SAFEGUARDS

When using electrical equipment, basic safety precautions should always be followed, including the following:

READ AND FOLLOW ALL SAFETY INSTRUCTIONS

1. **CAUTION** – To prevent electrical shock, do not mate unit connector until installation is complete and A.C. power is supplied to the unit.
2. **CAUTION** – This fixture provides more than one power supply output source. To reduce the risk of electrical shock, disconnect both normal and emergency sources by turning off the A.C. branch circuit and by disconnecting the unit connector.
3. **CAUTION** – This is a sealed unit. The integral, high temperature Ni-Cad battery is not replaceable. Replace the entire unit when necessary. The EPA certified RBRC® Battery Recycling Seal indicates voluntary participation in an industry program to collect and recycle these batteries at the end of their useful life, when taken out of service in the United States or Canada. The RBRC program provides a convenient alternative to placing used Ni-Cad batteries into the trash or the municipal waste stream, which may be illegal in your area. Please call 1-800-822-8837 for information on Ni-Cad battery recycling and disposal bans/restrictions in your area. Involvement in this program is part of our commitment to preserving our environment and conserving our natural resources.
4. **DO NOT USE OUTDOORS.** The **XEB-55** is for use with grounded, UL Listed, indoor fixtures except in heated air outlets or hazardous locations.
5. The **XEB-55** requires an unswitched A.C. power source of either 120 or 277 volts. Properly cap the unused A.C. lead.
6. Do not mount near gas or electric heaters.
7. The **XEB-55** should be mounted in locations and at heights where it will not readily be subjected to tampering by unauthorized personnel.
8. The **XEB-55** will cold strike and operate one 2' through 4' (20-40W) instant start, rapid start, U shape or circline, T8 through T12 fluorescent lamps, including energy saving and long compacts for 90 minutes at reduced light output.
9. The **XEB-55** is compatible with all A.C. magnetic and electronic ballasts including multiple lamp ballasts with one lamp operating in the emergency mode.
10. The use of accessory equipment not recommended by the manufacturer may cause an unsafe condition.
11. Do not use this equipment for other than intended use.
12. Install in accordance with the National Electrical Code and local regulations.
13. Installation and servicing should be performed by qualified personnel.
14. Lighting fixture manufacturers, electricians, and end-users need to ensure product system compatibility before final installation.

SAVE THESE INSTRUCTIONS



INSTALLATION INSTRUCTIONS

CAUTION: Before installing, make certain the A.C. power is off and the XEB-55 unit connector is disconnected.

1. LAMPS OPERATED

The XEB-55 can be used with most 2' –4' lamps. Refer to the chart below for the type of lamp(s) operated and the number of lamps to be operated in emergency mode.

OPTION	LAMP TYPE	EMERGENCY OPERATION	*VIOLET LEADS	WIRING DIAGRAMS
1	2 FT T8-T12 Single, Bipin	One Lamp	Connected	1,2,3,4,5,6,7,8
2	4 FT T5(28W) T8-T12 Single, Bipin	One Lamp	Disconnected	1,2,3,4,5,6,7,8

*The 6" violet leads provide the lamp selection option. The unit is shipped from the factory with the leads disconnected and capped.

2. MOUNTING THE XEB-55

Remove the ballast channel cover. Mount the XEB-55 in the ballast channel at least 1/2" away from the A.C. ballast(s).

When battery packs are remote mounted, the remote distance can not exceed 1/2 of the distance from ballast to lamp specified by the A.C. ballast manufacturer. For example, if the A.C. ballast manufacturer recommends no more than 25' remote distance, then the battery pack should not exceed 12 1/2'. Under no circumstances should the battery pack exceed a distance of 50' from the lamp.

3. WIRING

Refer to the wiring diagrams on the back page for the appropriate wiring of lamp(s) and ballast. Install in accordance with the National Electrical Code and local regulations. For additional wiring diagrams consult Customer Service.

Illustration 1

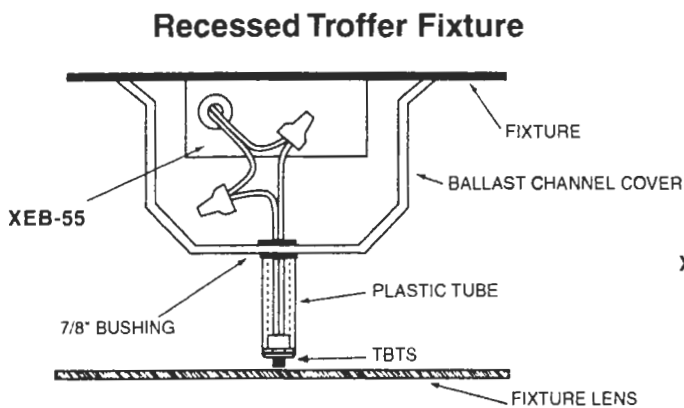
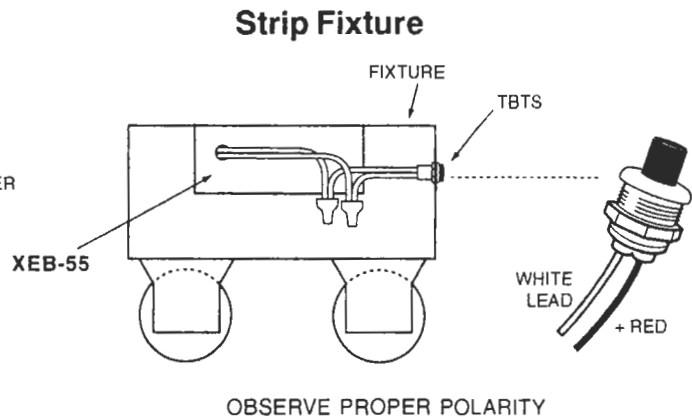


Illustration 2



4. INSTALLING THE THREADED BODY TEST SWITCH (TBTS)

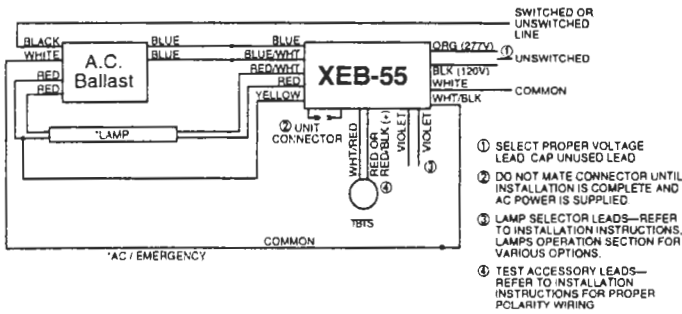
Recessed Troffer Fixture – Select a convenient location with proper clearance in the ballast cover and drill or punch a 7/8" hole (1/2" knockout). Insert the 7/8" bushing into the hole. Push the plastic tube through the bushing. Route the leads of the TBTS through the plastic tube. Connect the LED wires from the unit to the TBTS (Red/Black or Red w/tag to Red, and White/Red to White). Push the entire assembly back into the tube until the lens collar rests against the plastic tube. The plastic tube should be adjusted so that the TBTS is within 1/4" of the fixture lens. The TBTS must be visible after installation. Refer to *Illustration 1*.

Strip Fixture – Select a convenient location on the fixture so the TBTS can be seen after installation. Allow for proper clearance inside the fixture and drill or punch a 1/2" hole. Remove the nut from the TBTS. Push the TBTS housing into the 1/2" hole and secure with the nut. Connect the LED wires from the unit to the TBTS (Red/Black or Red w/tag to Red, and White/Red to White). Refer to *Illustration 2*.

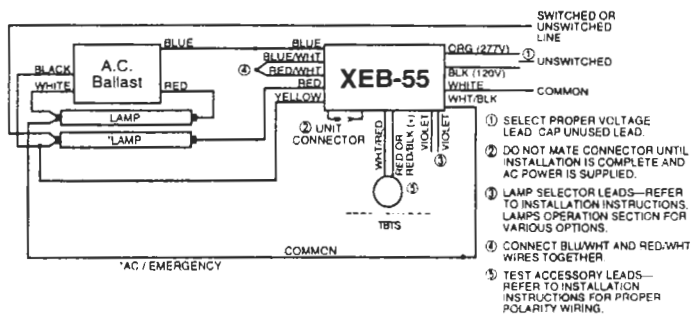
TYPICAL WIRING DIAGRAMS

For wiring diagrams of ballasts not shown, consult our Customer Service.

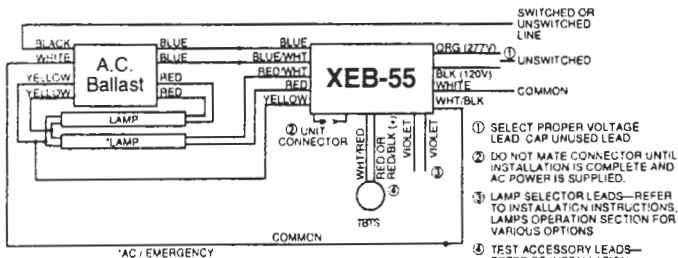
1. ONE LAMP RAPID START BALLAST



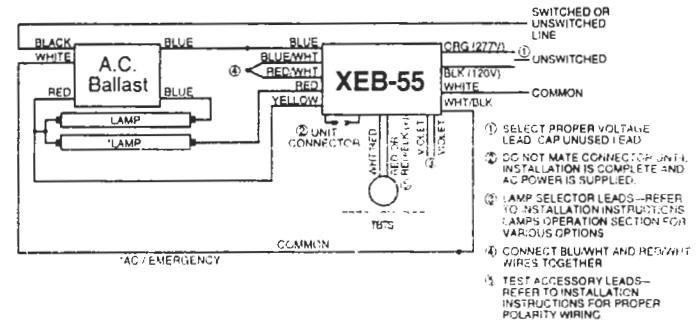
5. TWO LAMP INSTANT START BALLAST



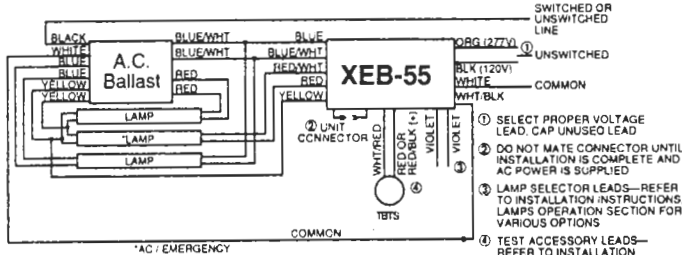
2. TWO LAMP RAPID START BALLAST



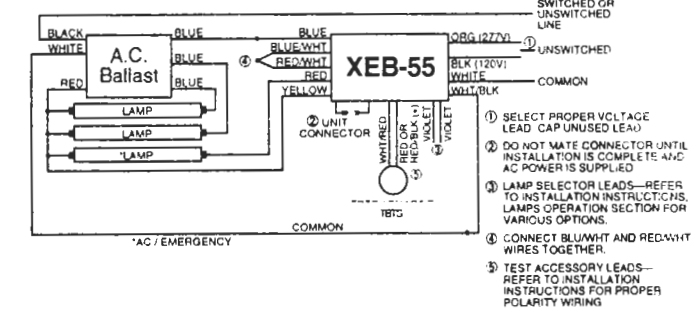
6. TWO LAMP INSTANT START BALLAST



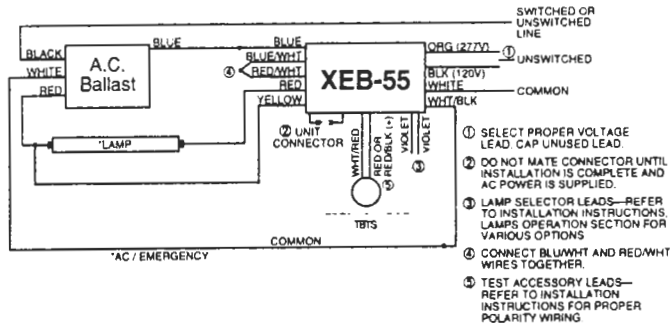
3. THREE LAMP RAPID START BALLAST



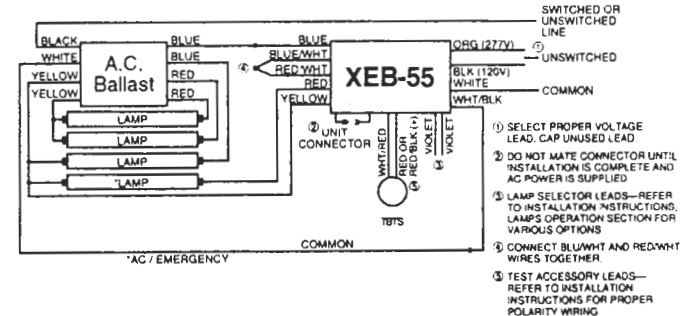
7. THREE LAMP INSTANT START BALLAST



4. ONE LAMP INSTANT START BALLAST



8. FOUR LAMP INSTANT START BALLAST



EXITRONIX™

LED Exit Signs and Emergency Lighting

2019 W. Lone Cactus Dr.
 Phoenix, Arizona 85027
 (602) 580-3948 • (800) LED-EXIT
 Fax (602) 580-8948