



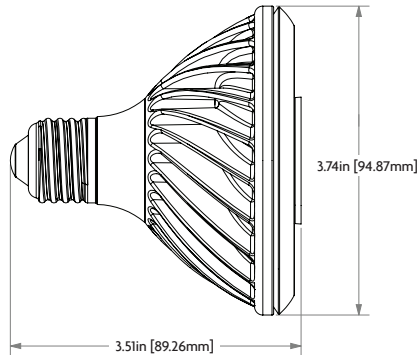
LED LAMP FEATURES¹

Equivalent Source	
Standard	Up to 65W Halogen
L70 lumen depreciation	50,000 hours
Housing	Aluminum
Socket	E26 Edison base
Beam Spread Flood, Narrow Flood, Narrow Spot	40°, 25°, 10°
Operating Temperature	-20°C to +40°C
MOL	3.51in, 89.26mm
Voltage	120VAC
Weight	0.99lbs., 450g
Power Factor	≥.90
Warranty	5 year limited

DEFINITY™ PAR30 Short Neck

BENEFITS

- Dimmable to 5% of light on most dimmers.¹
- Optional 40°, 25° and 15° beam spreads.
- Suitable for damp locations.
- 13 watts – 80% more efficient than comparable 65 watt Halogen lamp.
- Maintenance free operation, lasts up to 16 times longer than conventional lighting.
- 50,000 hour rated design life.
- ANSI compliant form factor.
- RoHS compliant – contains no mercury or lead.



Specifications supplied are nominal. Please refer to the DOE's Lighting Facts Tolerance Guidelines.
¹ Values are nominal, advances from further innovation, specifications are subject to change.



ORDERING INFORMATION \ \ DFN 30SN WW FL 120

Family	Product	Color (CCT)	Distribution	Voltage
DFN Definity	30SN PAR30 Short Neck	W27 Warm White 2700K	FL Flood	120 120 Volt
		WW Warm White 3000K	NFL Narrow Flood	
		NW Neutral White 4000K	NSP Narrow Spot	
		CW Cool White 5000K		

CERTIFICATIONS



ENVIRONMENT



PAR30 Short Neck Diameter & MOL

E26 MOL: 3.51in, 89.26mm

E26 Diameter: 3.74in, 94.87mm

PAR30 Short Neck

DIMMER CAPABILITIES

PAR30 Short Neck

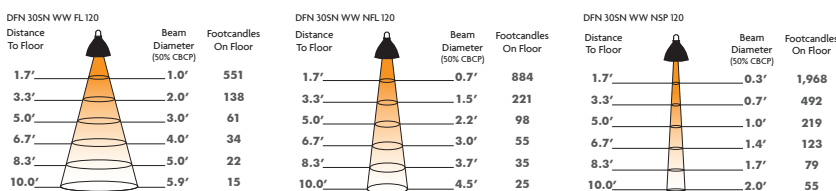
LUTRON DIMMERS: ADRIANI AY600; Commercial Systems QSG-6P, LP-RPM-4A-120; Diva DV-600, DVCL-153P; **Interfaces** PHPM-WBX, PHPM-WBX w/ DVF-103P; **Homeworks** HW-RPM-4A-120, HxD-6ND; **Panel Module** CTCL-153P, TTCL-100D, Grafik Eye; **Radio Ra** RRD-10ND, RRD-6NA; **Stanza** SZ-6ND; **Lutron** RRD-10ND, SZ-6ND, HW-RPM-4A-120, HxD-6ND, S-600PR-WH, DV-600PR-WH, TG-600PR-WH, Q600P, GL600, CN-600PHW, DV-603PG, S-600, S-600P, LG-600P, D-600PH, TT-300NLH, TG-603PG, DV-600PR-WH **OTHER DIMMERS:** Ace 34050, 3027596 Leviton 6633-PL, 6684, 6631, IPI06-ILX Legrand DrRD4W

PAR30 SHORT NECK

Part Number	Base Type	Wattage	Beam Angle ¹	Lumens	Voltage	Efficacy	CRI	CBCP
DFN 30SN NW FL 120	E26	13W	40	775	120	60	85	1365
DFN 30SN WW FL 120	E26	13W	40	750	120	58	85	1321
DFN 30SN W27 FL 120	E26	13W	40	725	120	56	85	1277
DFN 30SN CW FL 120	E26	13W	40	800	120	62	67	1410
DFN 30SN NW NFL 120	E26	13W	25	775	120	60	85	3222
DFN 30SN WW NFL 120	E26	13W	25	750	120	58	85	3118
DFN 30SN W27 NFL 120	E26	13W	25	725	120	56	85	3014
DFN 30SN CW NFL 120	E26	13W	25	800	120	62	67	3326
DFN 30SN NW NSP 120	E26	13W	10	775	120	60	85	4754
DFN 30SN WW NSP 120	E26	13W	10	750	120	58	85	4601
DFN 30SN W27 NSP 120	E26	13W	10	725	120	56	85	4448
DFN 30SN CW NSP 120	E26	13W	10	800	120	62	67	4808

NFL: Narrow Flood FL: Flood SP: Spot NSP: Narrow Spot NW: Neutral White WW: Warm White W27: Warm White 2700K
CW: Cool White CBCP: Center Beam Candle Power

0° AIMING FOOTCANDLES



Visit www.lsgc.com/energystar for list of ENERGY STAR qualified lamps.



Specifications supplied are nominal. Please refer to the DOE's Lighting Facts Tolerance Guidelines.
¹ Values are nominal, advances from further innovation, specifications are subject to change.

Cautions

- Turn power off before inspection, installation, or removal.
- Risk of Electric Shock – Do not use where directly exposed to water or weather.
- For use in recessed fixtures.
- Suitable for damp locations.
- Do not open – no user serviceable parts inside.
- North America use on 120VAC, 50 - 60 Hz circuits.
- This device is not intended for use with emergency exit fixtures or emergency exit lights.
- Added weight of the device may cause instability of a free-standing portable luminaire.
- This device complies with Part 15 of the FCC rules and has been tested and found to comply with the limits for a Class B digital device. These limits are designed to provide reasonable protection against harmful interference in a residential installation. This equipment generates, uses and can radiate radio frequency energy and, if not installed and used in accordance with the instructions, may cause harmful interference to radio communications. Any changes or modifications not expressly approved by the manufacturer could void the user's authority to operate the equipment.



DFN PAR30SN_1512

Specifications are typical values and may change without notification.
©2012 Lighting Science Group Corporation. All rights reserved.

877-999-5742 | www.lsgc.com
1227 South Patrick Drive | Satellite Beach, FL 32937