

Italia™ Series

European Track Collection

MR16 Side Perforated Housing

Lamp: 50W 12V MR16
50W 120V MR16ES

PRODUCT DESCRIPTION

Line or low voltage die cast aluminum lamp holder with decorative curved lamp face. Finished in silver for contemporary effect.

Features

- Die cast aluminum body provides superior strength and rigidity.
- Low profile, aesthetic design.
- High-strength stainless steel electrical contacts.
- Completely concealed wiring.
- One or two circuit track capable.

CONSTRUCTION

Contact Head Assembly

Three 0.030 stainless steel contacts mounted to integral transformer.

Housing

0.04 Die cast aluminum housing. Side of housing perforated to dissipate heat and provide design feature. Aluminum arm extends front to round ring that surrounds the outer side of the MR16 lamp source. Outer edge of ring has decorative wave curve design.

Stem

0.042 Silver finished hollow steel stem carries wiring from housing to transformer. Stem provides horizontal or pan angle aiming of fixture, with friction hold to desired angle.

Socket

NTL-318S - Porcelain socket for 50W GU5.3 12V MR16 lamp.

NTH-618S - Porcelain socket for 50W GU10 120V MR16ES lamp.

Lamp

NTL-318S - 50W 12V MR16 GU5.3 halogen lamp with integral protective cover (not included).

NTH-618S - 50W 120V MR16 GU10 halogen lamp with integral protective cover (included).

Lamp Specification

To achieve optimal low profile styling, the European Collection uses an open lamp configuration. It is imperative to use only MR16 lamps made with an integral clear shield cover. Example: Osram Sylvania #58575 - 50MR16/B/NSP/11/C.

One/Two Circuit Conversion

Positive contact (opposite neutral and ground contacts) is preset to "down" position at factory but may be raised to the higher position to install onto the second circuit of Nora Lighting NT-2300 series two-circuit track.

Electrical System

1. **Transformer (NTL-318S)** – Solid-state electronic transformer provides noise-free voltage reduction and operation. If dimming, use electronic low voltage rated only dimming controls. *If dimming, lamp manufacturers recommend burning the MR16 at full power for 100 consecutive hours prior to using dimming control. Failure to apply this precaution may reduce lamp life.

Integral Unit - 120V/60Hz Input; 12V Output; 50VA Max. Load

2. **Wiring** - Teflon protected low voltage wiring concealed from transformer to MR16 socket.

Finish

Silver powder coat.

NORALIGHTING®

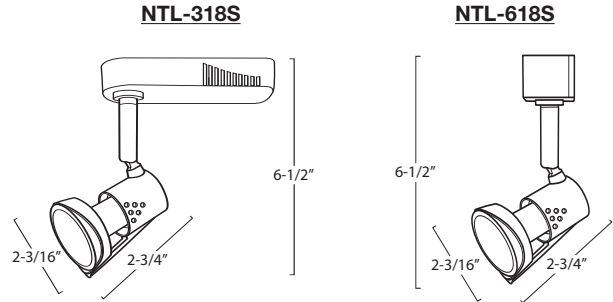
Type _____

Project _____

Catalog No. _____

Lamp/Wattage _____

DIMENSIONS



Diameter: 2-3/16"
Length: 2-3/4"
Max. Extension: 6-1/2"
Transformer (NTL-318S): 4-3/8"L x 1-3/8"W x 7/8"H

Compatibility

Nora track fixtures are interchangeable with Halo, Catalina, Hampton Bay, Halo-Edison, or any other brands configured to Halo 3 conductor track design.

Note: Fixtures may not be compatible with non-Nora transformers or monopoint adapters.

Optional Accessories

50MR16EXN/L10S Silver Lensed 50W MR16 GU10 120V
QU50MR16EXN/CS Silver Lensed 50W MR16 GY5.3 12V
NTR-100 MR16 Silicone Flange Ring
(Blue, Green, Red, White, Yellow)

Labels and Listings

UL Listed to Standard 1574 as Track Lighting Systems and Fittings



Create a complete fixture catalog number: Example: **NTL-318S / QU50MR16EXN/CS**

Fixture - select one box from each column

Catalog No.	Voltage	Wattage	Finish
NTL-318	12V	50	S
NTH-618	120V		

Finishes: S = Silver

Optional Accessories

Catalog No.	Finish
50MR16EXN/L10S	B W
QU50MR16EXN/CS	G Y
NTR-100	R

Finishes: B = Blue, F = Frost, G = Green, L = Linear Spread,
R = Red, S = Spread Lens, W = White, Y = Yellow

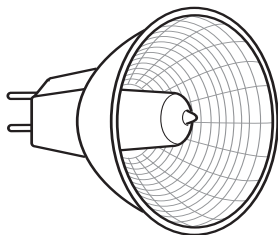
NORALIGHTING®

6505 Gayhart St., Commerce, CA 90040 Phone: 800.686.6672 • FAX 800.500.9955
www.noralighting.com • e-mail: nora@noralighting.com Specifications subject to change without notice. © 2008

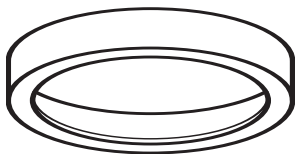
Italia™ Accessories

50MR16EXN/L10S Silver Lensed 50W MR16 120V

QU50MR16EXN/CS Silver Lensed 50W MR16 12V



NT-361 MR16 Flange/ Ring Holder



Finishes: Blue (B), Green (G), Red (R),
White (W), Yellow (Y)