



# NTL-220 NTL-2220

## PAR36 Gimbal Ring

### LAMP WATTAGE

(1) 50PAR36 M-P Multipurpose (Screw Terminal)

### DESCRIPTION

Low voltage PAR36 adjustable gimbal ring fixture. PAR36 lamp clips directly into the adjustable gimbal ring. A steel yoke holds the gimbal ring in place and allows for full lateral aiming adjustment.

### FEATURES

- Lightweight, strong steel construction
- Instant snap-in lamp installation
- Heat resistant Teflon coated wire lead
- Adjustable yoke for precision aiming
- High-strength stainless steel electrical contacts
- One or two circuit track capable

### GIMBAL RING

.030 Baked enamel finished steel ring. Dual high-tension stainless steel springs secure PAR36 light source.

### YOKE

.085 Rigid steel bracket connects fixture housing to electrical contact head. Side mounted riveting provides secure angle position.

### TRANSFORMER

Solid state electronic transformers provide noise-free voltage reduction and operation. If dimming, use electronic low voltage rated only dimming controls.

#### NTL-220:

Integral Unit - 120V/60Hz Input; 12V Output; 50VA Max. Load

#### NTL-2220 (requires separate transformer):

External Unit - NTL-2200/50: 120V/60Hz Input; 12V Output; 50VA Max. Load

### WIRING

Teflon coated wire lead connects socket and housing to electrical contact head. Teflon coating is durable and resists heat degradation from lamp and housing radiation.

### SOCKET

Stainless steel spring sockets allow PAR36 lamp to snap into the socket housing without hard wiring the fixture to PAR36 lamp terminals. Sockets are encased in a heavy duty .11 heat rated contoured plastic housing.

### CONTACT HEAD ASSEMBLY

Three .030 stainless steel contacts mounted in high heat rated plastic housing.

### ONE/TWO CIRCUIT CONVERSION

Positive contact (opposite neutral and ground contacts) is preset to "down" position at factory, but may be raised to the higher position to install onto the second circuit of Nora Lighting NT-2300 series two-circuit track.



NTL-220W



NTL-2220B

### PRODUCT MATRIX

| CATALOG NUMBER | FINISH | BASE | WATT | VOLT | INTEGRAL TRANSFORMER | LAMP INCLUDED* |
|----------------|--------|------|------|------|----------------------|----------------|
| NTL-220        | B,W    | M-P  | 50   | 12   | YES                  | NO             |
| NTL-2220       | B,W    | M-P  | 50   | 12   | NO*                  | NO             |

\* NTL-2220 requires purchase of NTL-2200 transformer unit for operation.

### DIMENSIONS

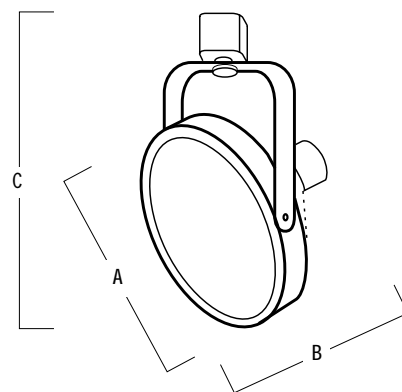
#### NTL - 2 2 0

|              |        |          |
|--------------|--------|----------|
| A: Diameter  | 5-1/8" | (130 mm) |
| B: Length    | 3"     | (76 mm)  |
| C: Extension | 7-5/8" | (194 mm) |

#### NTL - 2 2 2 0 \*

|               |        |          |
|---------------|--------|----------|
| A: Diameter   | 5-1/8" | (130 mm) |
| B: Length     | 3"     | (76 mm)  |
| C: Extension* | 8-1/4" | (210 mm) |

\* Extension includes NTL-2200 transformer which is required for use with NTL-2220



### FINISHES

White or Black heat rated baked enamel paint. Custom painting or anodizing for special applications is also available. Custom finishes will require lead times that vary depending on vendor schedules. Please consult factory for quotation, and provide either a Dunn Edwards number or color chip for exact matching.

### COMPATIBILITY

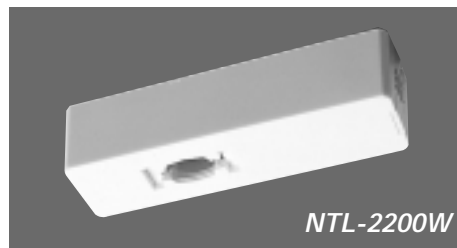
Nora track fixtures are interchangeable with Halo, Catalina, Hampton Bay, Halo-Edison, or any other brands configured to Halo track system design. Note: fixtures may not be compatible with non-Nora transformers or monopoint adapters.

### UL LISTED

UL Listed as track lighting fitting

### ACCESSORIES

Transformers (required for NTL-2220)  
50VA . . . . .NTL-2200/50(B,W)  
Custom Finishes . . . . .Consult Factory



NTL-2200W