

NTF-2642T

26-42W Triple Biax Compact Fluorescent



LAMPS

- (1) CFM26W/Gx24qd
- (1) CFM32W/Gx24qd
- (1) CFM42W/Gx24qd

DESCRIPTION

Extruded aluminum compact fluorescent track fixture incorporating a triple/quadrille biax lamp source. Integral electronic ballast provides efficient and quiet power for biax lamps. 3/8" louver provides finished surface and cutoff for increased aesthetics and light control. Heavy-duty yoke allows full vertical and lateral adjustment. Dual tightening knobs assure secure lock on vertical angle position.

FEATURES

- Heavy duty extruded aluminum body with die cast end caps
- One fixture accepts 26, 32, or 42 watt light source
- Low profile, aesthetic design
- Integral 3/8" Louver
- Integral high efficiency solid-state ballast
- High-strength stainless steel electrical contacts
- One or two circuit track capable

HOUSING

Main body consists of .10 extruded aluminum terminating at two .10 die cast aluminum end caps, tightly secured by six steel screws to fixture body. Finish is Black (B) or White (W)

REFLECTOR

.020 aluminum polished to mirror quality clear specularity.

BALLAST

Type I, Outdoor Class P solid-state electronic ballast.

120V, 60Hz			
Sound Rating	A		
Starting Temperature	0F -18C		
Start Rating	>50,000		
Power Factor	>0.98		
THD	<20%		
Nominal Input Watts	26W	32W	42W
	26.5	32.7	42.6
Current	.22A	.30A	.40A

YOKE

.13 Rigid steel yoke connects fixture housing to electrical contact head. Dual plastic angle tightening knobs maintain clean, decorative appearance of the fixture and provide secure angle position.

SOCKET

4-Pin socket to accept GX24q-3 / GX24q-4 base triple quadrille biax compact fluorescent light source.

LAMP BRACKET

Additional lamp support provided by one steel bracket located at midsection of light source.

LOUVER

.06 Injection-molded colored construction body. Five cells measure 3-1/8" X 1-1/4" (inside), 3/8" deep for glare cutoff and higher directional control. Integral



NTF-2642T

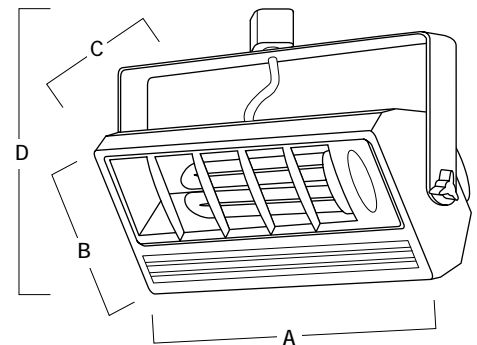
PRODUCT MATRIX

CATALOG NUMBER	FINISH	LAMP	WATTS	AMPS	HEADS
NTF-2642T	B, W, S	(1)	42	.35	1

DIMENSIONS

NTF - 3 2 1 8

A: Length	11-1/4"	(29 cm)
B: Width	5-7/8"	(149 mm)
C: Depth	3-1/4"	(83 mm)
D: Max Extension	7-1/2"	(191 mm)



locking clips provide secure hold into track fixture housing. Chrome louver is standard. Other louvers available to match housing finish if desired.

CONTACT HEAD ASSEMBLY

Three .030 stainless steel contacts mounted in heat rated plastic housing. One centrally mounted contact head allows the fixture to be aimed along a horizontal axis as well as vertical.

ONE/TWO CIRCUIT CONVERSION

Positive contact (opposite neutral and ground contacts) is preset to "down" position at factory, but may be raised to the higher position to install onto the second circuit of Nora Lighting NT-2300 series two-circuit track.

FINISHES

White, Black, or Silver heat rated baked enamel paint. Custom painting or anodizing for special applications is also available. Custom finishes will require lead times that vary depending on vendor schedules. Please consult factory for quotation, and provide either a Dunn Edwards number or color chip for exact matching.

COMPATIBILITY

Nora track fixtures are interchangeable with Halo, Catalina, Hampton Bay, Halo-Edison, or any other brands configured to Halo track system design. Note: fixtures may not be compatible with non-Nora monopoint adapters.

UL LISTED

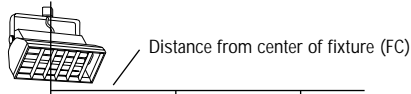
UL Listed as track lighting fitting

ACCESSORIES

Louver NTF-2642T (B,C,W)
(Order only if finish other than that of fixture is desired)
Custom Finishes: Consult Factory

Unit tested with clear louver. Tilt angle 45°

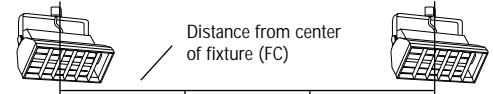
Single Units



Mounting height from floor (FF)	Distance from center of fixture (FC)		
	0.0	1.0	2.0
9.0	30.2	24.3	12.5
8.0	41.7	33.4	18.9
7.0	31.0	26.7	17.4
6.0	18.1	16.1	12.0
5.0	11.6	10.7	8.55
4.0	7.38	6.97	5.86
3.0	4.74	4.54	4.03
2.0	3.16	3.06	2.76
1.0	2.19	2.13	1.93

Multiple Unit Array

3 unit array example



Mounting height from floor (FF)	Distance from center of fixture (FC)		
	0.0	1.0	2.0
9.0	62.5	60.0	60.0
8.0	92.4	88.5	88.5
7.0	77.3	78.0	78.0
6.0	52.6	53.0	53.0
5.0	37.7	38.4	38.4
4.0	26.6	27.2	27.2
3.0	18.6	19.2	19.2
2.0	13.3	13.6	13.6
1.0	9.66	9.90	9.90

SINGLE UNIT 3' FROM WALL	SINGLE UNIT 4' FROM WALL	3 UNIT ARRAY 3' ON CENTER 3' FROM WALL	3 UNIT ARRAY 3' ON CENTER 4' FROM WALL	4 UNIT ARRAY 4' ON CENTER 3' FROM WALL	4 UNIT ARRAY 4' ON CENTER 4' FROM WALL
-----------------------------	-----------------------------	--	--	--	--

NTF-2642T

Test No. 901-2A

42W

FC	0.0	1.0	2.0	3.0	4.0	5.0	6.0	7.0	8.0	FC	0.0	1.0	2.0	3.0	4.0	5.0	6.0	7.0	8.0	FC	0.0	1.0	2.0	FC	0.0	1.0	2.0	3.0	FC	0.0	1.0	2.0	3.0										
FF	9.0	46.5	38.7	22.6	11.5	5.4	2.4	1.2	0.7	0.4	FF	9.0	26.6	24.0	17.8	11.0	6.7	3.6	2.1	1.2	0.7	FF	9.0	69.7	67.0	64.0	FF	9.0	48.5	48.5	45.8	FF	9.0	57.5	53.2	47.6	53.4	FF	9.0	40.4	39.9	39.8	40.0
8.0	44.8	40.9	23.7	10.8	5.3	2.6	1.3	0.7	0.5	8.0	25.7	23.6	19.3	11.5	6.3	3.7	2.2	1.3	0.8	8.0	66.6	70.1	67.4	8.0	48.8	49.4	46.6	8.0	55.7	54.9	50.1	55.1	8.0	39.0	40.1	43.0	40.0						
7.0	30.5	26.2	17.3	9.5	5.0	2.7	1.5	0.8	0.5	7.0	20.5	18.9	14.9	9.8	5.6	3.4	2.1	1.3	0.8	7.0	49.5	48.5	46.3	7.0	40.1	39.5	37.1	7.0	40.7	39.1	37.4	39.2	7.0	32.5	33.2	33.9	33.2						
6.0	19.0	18.2	13.4	7.7	4.5	2.7	1.5	0.9	0.6	6.0	14.9	14.8	11.2	7.8	5.1	3.2	2.1	1.4	0.9	6.0	34.5	36.1	34.3	6.0	30.4	31.1	29.2	6.0	28.3	29.3	29.9	29.3	6.0	25.8	27.1	26.6	27.1						
5.0	11.3	10.2	9.1	6.1	3.8	2.4	1.5	0.9	0.6	5.0	10.4	10.0	9.3	6.7	4.4	2.9	2.0	1.4	0.9	5.0	23.5	23.1	21.7	5.0	23.8	23.6	22.2	5.0	19.3	19.5	21.1	19.5	5.0	19.9	20.8	22.5	20.8						
4.0	6.7	6.2	5.4	4.3	3.0	2.0	1.4	0.9	0.6	4.0	7.1	6.7	6.2	5.3	3.7	2.5	1.8	1.3	0.9	4.0	15.3	14.5	13.5	4.0	17.7	16.5	15.4	4.0	13.1	13.2	13.3	13.2	4.0	15.2	15.7	15.9	15.7						
3.0	3.9	3.7	3.3	2.8	2.3	1.7	1.2	0.8	0.6	3.0	4.8	4.6	4.1	3.6	3.0	2.1	1.6	1.2	0.8	3.0	9.5	9.3	8.7	3.0	12.1	11.6	10.8	3.0	8.9	8.9	8.8	8.9	3.0	11.4	11.4	11.3	11.4						
2.0	2.5	2.4	2.2	1.9	1.6	1.3	1.0	0.7	0.5	2.0	3.2	3.1	2.8	2.5	2.2	1.8	1.3	1.0	0.8	2.0	6.2	6.1	5.8	2.0	8.2	8.0	7.6	2.0	6.0	6.2	6.1	6.2	2.0	8.2	8.3	8.1	8.3						
1.0	1.6	1.6	1.5	1.3	1.2	1.0	0.8	0.6	0.5	1.0	2.2	2.1	2.0	1.8	1.6	1.4	1.1	0.9	0.7	1.0	4.2	4.2	4.0	1.0	5.8	5.7	5.5	1.0	4.3	4.4	4.4	4.4	1.0	5.9	6.1	6.1	6.1						

NTF-2642T

Test No. 901-2A (.75 Multiplier applied to 42W file for 32W results)

32W

FC	0.0	1.0	2.0	3.0	4.0	5.0	6.0	7.0	8.0	FC	0.0	1.0	2.0	3.0	4.0	5.0	6.0	7.0	8.0	FC	0.0	1.0	2.0	FC	0.0	1.0	2.0	3.0	FC	0.0	1.0	2.0	3.0										
FF	9.0	18.3	17.2	7.9	3.2	1.4	0.6	0.3	0.2	0.2	FF	9.0	11.0	11.1	7.4	3.9	2.0	1.1	0.6	0.4	0.2	FF	9.0	24.8	26.5	25.6	FF	9.0	18.7	20.6	19.6	FF	9.0	21.1	21.0	16.2	21.1	FF	9.0	15.1	16.3	15.8	16.3
8.0	28.8	25.4	13.9	7.4	3.4	1.6	0.8	0.4	0.3	8.0	15.6	15.6	10.6	6.5	3.9	2.2	1.2	0.7	0.5	8.0	43.6	42.8	41.0	8.0	28.7	30.1	28.4	8.0	35.6	34.6	29.3	34.8	8.0	23.6	24.9	23.6	24.9						
7.0	22.8	19.2	14.1	7.7	4.1	2.2	1.2	0.7	0.4	7.0	15.2	14.4	10.8	7.1	4.5	2.9	1.7	1.0	0.6	7.0	38.2	37.6	35.6	7.0	29.3	29.7	28.1	7.0	31.3	29.6	30.5	29.7	7.0	24.6	25.2	24.8	25.3						
6.0	14.7	13.9	10.8	6.5	3.6	2.2	1.3	0.8	0.5	6.0	11.1	10.4	8.9	6.8	4.3	2.7	1.8	1.2	0.8	6.0	27.7	28.3	26.8	6.0	24.7	23.5	22.0	6.0	22.2	23.1	24.1	23.1	6.0	20.2	20.9	21.1	20.9						
5.0	8.7	8.3	6.8	4.8	3.0	1.9	1.2	0.8	0.6	5.0	8.1	7.8	7.2	5.4	3.7	2.4	1.6	1.1	0.8	5.0	18.3	18.2	17.0	5.0	18.8	18.6	17.3	5.0	15.2	15.6	16.0	15.7	5.0	16.1	16.5	17.4	16.5						
4.0	5.6	5.3	4.4	3.5	2.5	1.7	1.2	0.9	0.6	4.0	5.6	5.5	4.8	4.0	3.0	2.1	1.4	1.0	0.8	4.0	12.5	12.2	11.4	4.0	13.5	13.2	12.4	4.0	11.1	11.2	11.0	11.2	4.0	12.0	12.4	12.4	12.4						
3.0	3.6	3.6	3.2	2.5	2.0	1.5	1.1	0.8	0.6	3.0	3.9	3.7	3.4	2.9	2.3	1.8	1.3	1.0	0.8	3.0	8.6	8.8	8.3	3.0	9.7	9.4	8.9	3.0	8.0	8.2	8.4	8.2	3.0	9.1	9.2	9.2	9.2						
2.0	2.5	2.4	2.4	2.0	1.6	1.2	1.0	0.8	0.6	2.0	2.8	2.8	2.5	2.1	1.8	1.5	1.2	0.9	0.7	2.0	6.5	6.4	6.1	2.0	7.1	7.2	6.8	2.0	6.1	6.3	6.6	6.3	2.0	7.0	7.2	7.3	7.2						
1.0	1.8	1.8	1.8	1.6	1.3	1.1	0.9	0.7	0.6	1.0	2.1	2.1	2.0	1.8	1.5	1.2	1.0	0.9	0.7	1.0	5.0	4.8	4.6	1.0	5.5	5.5	5.3	1.0	4.8	4.9	5.0	4.9	1.0	5.5	5.7	5.9	5.7						

NTF-2642T

Test No. 901-2A (.5625 Multiplier applied to 42W file for 26W results)

26W

FC	0.0	1.0	2.0	3.0	4.0	5.0	6.0	7.0	8.0	FC	0.0	1.0	2.0	3.0	4.0	5.0	6.0	7.0	8.0	FC	0.0	1.0	2.0	FC	0.0	1.0	2.0	3.0	FC	0.0	1.0	2.0	3.0										
FF	9.0	17.4	16.5	8.4	3.6	1.6	0.7	0.3	0.2	0.2	FF	9.0	10.2	10.4	7.2	4.1	2.2	1.2	0.7	0.4	0.3	FF	9.0	24.7	26.6	25.6	FF	9.0	18.4	19.9	18.8	FF	9.0	18.4	18.9	15.0	19.0	FF	9.0	13.1	14.3	14.3	14.6
8.0	23.5	20.7	11.6	6.1	3.0	1.4	0.7	0.4	0.2	8.0	13.5	13.2	8.8	5.5	3.4	2.0	1.1	0.6	0.4	8.0	35.7	35.4	33.7	8.0	24.4	25.4	23.9	8.0	28.6	27.4	23.3	27.5	8.0	19.5	20.1	18.8	20.1						
7.0	17.1	15.0	11.2	5.8	3.0	1.6	0.9	0.5	0.3	7.0	11.5	10.4	8.4	5.8	3.5	2.2	1.3	0.8	0.6	7.0	28.6	29.3	27.9	7.0	23.0	22.4	21.0	7.0	23.3	22.0	23.6	22.1	7.0	18.9	19.0	19.1	19.0						
6.0	10.9	10.2	7.6	4.7	2.6	1.5	0.9	0.6	0.4	6.0	8.6	8.2	7.4	5.0	3.1	1.9	1.3	0.8	0.6	6.0	20.2	20.4	19.3	6.0	18.7	18.7	17.4	6.0	16.8	17.5	17.6	17.5	6.0	15.2	15.6	16.6	15.7						
5.0	6.6	6.1	4.8	3.5	2.3	1.4	0.9	0.6	0.4	5.0	6.0	5.8	4.9	3.8	2.6	1.7	1.1	0.8	0.6	5.0	13.5	13.2	12.4	5.0	13.5	13.3	12.4	5.0	11.4	11.5	11.7	11.5	5.0	12.0	12.4	12.5	12.4						
4.0	4.1	4.1	3.5	2.5	1.8	1.3	0.9	0.6	0.5	4.0	4.1	4.0	3.4	2.8	2.1	1.5	1.1	0.8	0.6	4.0	9.1	9.4	8.8	4.0	9.7	9.4	8.8	4.0	8.2	8.5	8.3	8.5	4.0	8.9	9.0	9.0	9.0						
3.0	2.7	2.6	2.6	2.0	1.5	1.1	0.8	0.6	0.5	3.0	2.9	2.9	2.6	2.1	1.7	1.3	1.0	0.7	0.6	3.0	6.7	6.7	6.3	3.0	7.0	7.1	6.7	3.0	6.0	6.2	6.5	6.2	3.0	6.7	6.9	6.8	7.0						
2.0	1.9	1.8	1.8	1.6	1.3	0.9	0.7	0.5	0.4	2.0	2.1	2.0	2.0	1.7	1.4	1.1	0.9	0.7	0.5	2.0	5.0	4.8	4.5	2.0	5.5	5.4	5.1	2.0	4.6	4.7	4.9	4.7	2.0	5.1	5.4	5.6	5.4						
1.0	1.4	1.3	1.3	1.2	1.0	0.8	0.6	0.5	0.4	1.0	1.6	1.5	1.5	1.4	1.2	1.0	0.8	0.6	0.5	1.0	3.7	3.6	3.4	1.0	4.4	4.2	3.9	1.0	3.7	3.7	3.8	3.8	1.0	4.2	4.3	4.5	4.3						