



EnduraLED MR16 7W 4000K 12V 1CT

Product family description

Philips EnduraLED MR16 Lamps provide ambient level light to illuminate hard to maintain applications. Increased transformer compatibility allows for operation on a wider range of transformers. Available in flood and spot versions, these lamps are ideal for track and open recessed fixtures in rooms, hallways, lobbies and retail displays.

Features

- Ideal for accenting objects at close distances.
- Instant-on light.
- Superior Long Life
- 3-Year limited warranty.
- Contains no mercury.
- Emits virtually no UV/IR light in the beam.

Benefits

- Will not fade colors, avoids inventory spoilage.
- Lowers site maintenance costs by reducing re-lamp frequency.
- Delivers quality white light in a crisp uniform beam.

Application

- Suited for accent and architectural lighting in Retail and Hospitality spaces.

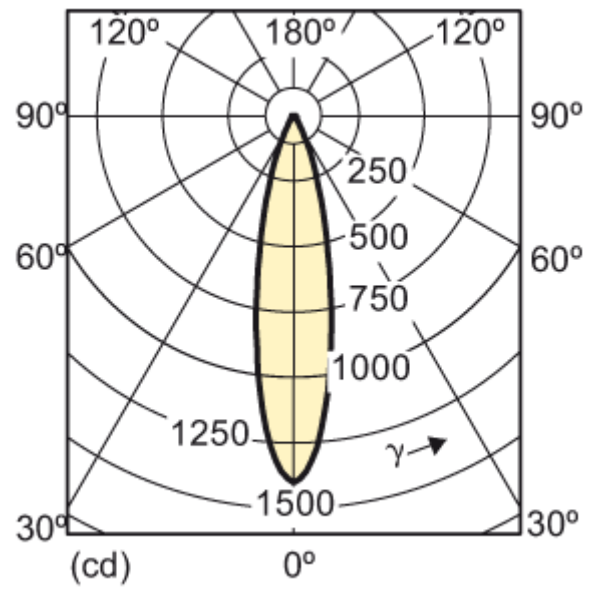
Product data	
ProNumUS	408781
Full product name	EnduraLED MR16 7W 4000K 12V 1CT
OrdCodUS	408781
Pack type	
Pieces per Sku	1
Skus/Case	10
EAN1US	
EAN2US	
EAN3US	
Successor Product number	
Additional Information	- [-]
Cap-Base	GU5.3

PHILIPS

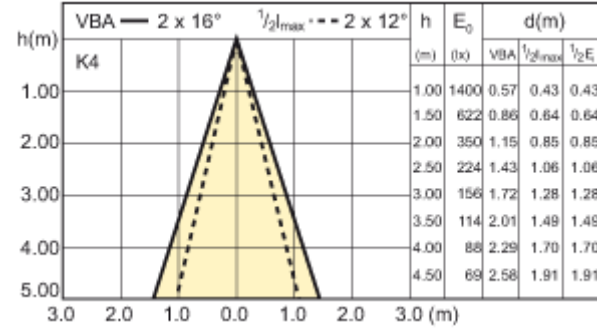
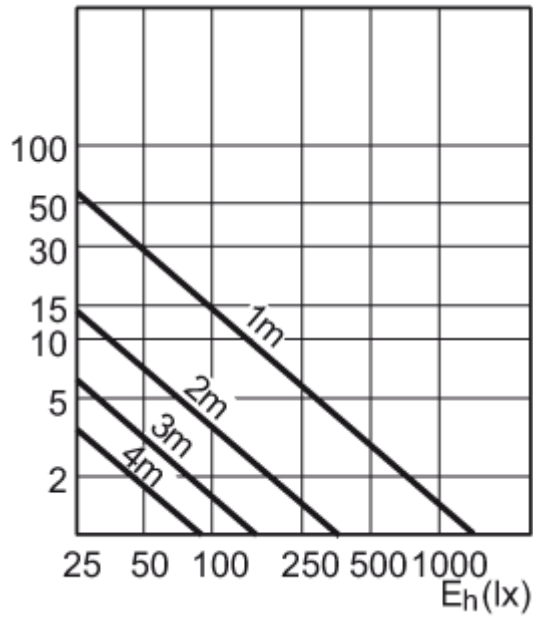
Product data	
Bulb	MR16 [MR 1 6inch/50mm]
Average Lifetime	25000 hr
Wattage	7W
Dimmable	No
Technical Type	7-35W
Color Code	CW
Color Designation (text)	Cool White
Correlated Color Temperature	4000 K
Luminous Intensity	1300 cd
Color rendering index	80
Color Temperature	4000K [CCT 4000K]
Diameter D	50 mm
Overall Length C	53.7 mm



MASTER LEDspotLV 7W MR16
EnduraLED MR16 7W GU5.3 MR16 0004

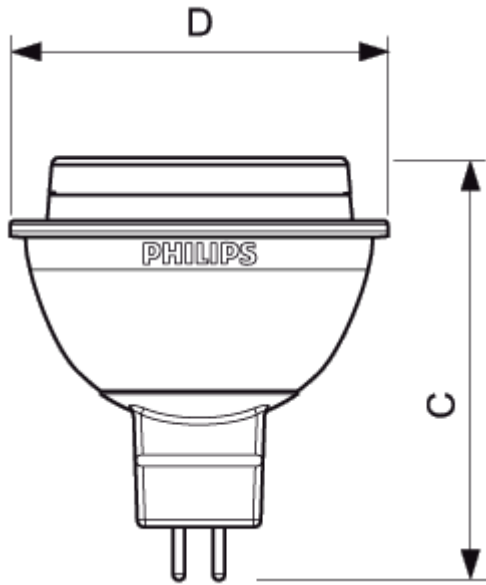


EnduraLED MR16 7W 4000K 12V MR16 24D -



EnduraLED MR16 7W 4000K 12V MR16 24D -

EnduraLED MR16 7W 4000K 12V MR16 24D -



EnduraLED MR16 MR16 0004/0006/001 I

	C	D
Full product name	Nom	Nom
EnduraLED MR16 7W 4000K 12V ICT	53.7	50



©2009 Koninklijke Philips Electronics N.V.

All rights reserved. Reproduction in whole or in part is prohibited without the prior written consent of the copyright owner. The information presented in this document does not form part of any quotation or contract, is believed to be accurate and reliable and may be changed without notice. No liability will be accepted by the publisher for any consequence of its use. Publication thereof does not convey nor imply any license under patent- or other industrial or intellectual property rights.

Document order number : 0000 000 00000