



JOB NAME: _____
DATE: _____
TYPE: _____

DESCRIPTION

Medium base HPS, MH or CFL specification grade flood with Integra Hood glare shield and 1/2" heavy duty swivel arm. Lamp supplied.

SPECIFICATIONS

UL Listing

Suitable for wet locations. Suitable for mounting within 4' of the ground

Housing

Precision die cast aluminum. 1/2" NPS locking Swivel Arm, Wall Bracket Trunnion or Slip Fitter

Reflector

Anodized aluminum. Field adjustable beam spread. Rotates 90° for horizontal or vertical lamp position

Lens Frame & Glare Shield

Precision die cast aluminum. Hinged for easy access. Phillips head screws for added security

Socket

HID Porcelain 4kv Pulse Rated socket with nickel plated screw shell CFL Plug in type, GX24q-4 base

Finish

Chip and fade resistant polyester powder coating

Lens

Thermal tempered shock resistant glass, 3/16" thick

Lens Gasket

High temperature one piece molded silicone set in die cast retaining groove. Remains in place during relamping

Ground Mounting

Use the new MPM19 Mighty Post with aluminum cap for sturdy installation

Quad Tap

Fixture works with 120, 208, 240 and 277 Volts

EPA

Maximum EPA 1.1

Patents

Pat. D545,472

EISA 2007 Compliant

This product complies with the new law for metal halide ballast efficiency. This law goes into effect January 1st, 2008. Pulse Start offers Longer Lamp Life, Faster Startup and Faster Restrike.

Country of Origin

Designed by RAB in New Jersey and assembled in the USA by IBEW Local 3

Buy American Act Compliant

This product is a COTS item manufactured in the United States, and is compliant with the Buy American Act.

Recovery Act (ARRA) Compliant

This product complies with the 52.225-21 "Required Use of American Iron, Steel, and Manufactured Goods-- Buy American Act-- Construction Materials (October 2010)

Trade Agreements Act Compliant

This product is a COTS item manufactured in the United States, and is compliant with the Trade Agreements Act.

GSA Schedule

This product is suitable for listing on the GSA Schedule of the US General Services in accordance with FAR Subpart 25.4

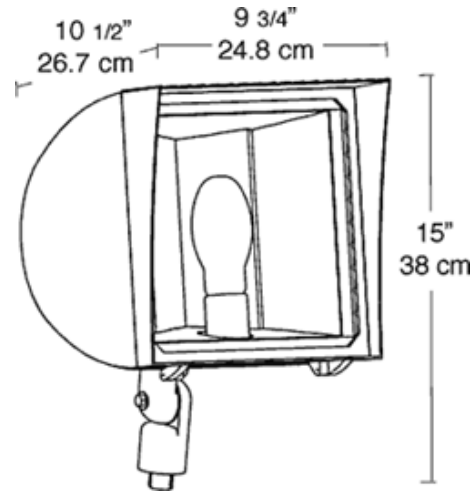
Color

Bronze

Weight

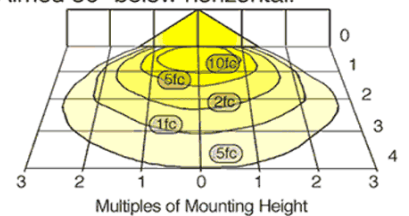
14.3

DIMENSIONS



PHOTOMETRIC

175w Metal Halide @ 10' Mounting Height Aimed 30° below horizontal.



Mounting Height	Multiplier	Multiplier		
		Watts	HPS	MH CFL
8'	1.6	175		1.0
10'	1.0	150PS		1.0
12'	.7	150	1.2	1.0
16'	.4	100	.7	.7
20'	.25	70	.5	.4
		50	.3	.25
		42		.23

ORDERING INFORMATION

Metal Halide Lamp supplied with fixture	Total Watts	Lamp Type	Lamp Base	Ballast	Starting Amps/ Operating Amps				Input Watts	LAMP ANSI	Initial Lumens	Lamp Hours
					120V	208V	240V	277V				
	100	ED17	Medium	HX-HPF QT	1.2/1.2	.7/.7	.7/.8	.6/.5	129.0	M90	9000	15000

Factory Installed Options
Add suffix to Catalog Number

Swivel Photocontrol wired for 120V (/PCS)
Single fusing for 120 and 277 volt (/F)

Double fusing for 208 and 240 volt (/FF)
Button Photocontrol wired for 120V (/PC)

Note: Specifications may change without notice