



MEGH400PSQ



JOB NAME: _____
 DATE: _____
 TYPE: _____

DESCRIPTION

Mega flood with steel trunnion mount allows easy surface mounting for aiming flexibility. Adjustable aiming over 180° arc. Mounting can be locked securely in place. Lamp supplied.

SPECIFICATIONS

UL Listing

Suitable for wet locations. Suitable for mounting within 4' of the ground.

Housing

One-piece die cast aluminum with die cast door frame held captive when opened

Reflector

High quality anodized aluminum eliminates redirected energy to prolong lamp life. Contoured for maximum horizontal and vertical beam dispersion.

Finish

Chip and fade resistant polyester powder coating

Lens

Thermal, tempered shock resistant glass, 5/32" thick

Lens Gasket

High temperature extruded silicone set in die cast retaining groove. Remains in place during relamping

Socket

3 socket positions customize beam spread to the application (center position is standard). Porcelain socket pulse rated 4kv, 1500 watts and 600 volts, reinforced with cat's eyes for added durability. Silicone and fiberglass #14 gauge socket leads rated for 200° C. Plated screw shell designed to resist corrosion with spring loaded center contact

EPA

2.1

Pulse Start

Pulse Start metal halide for increased lamp life, lumen maintenance, color uniformity and efficiency

Patents

The unique RAB Mega flood is protected by U.S. Patents D565,772 and D570,024; China Patent ZL200730149208.0; Taiwan Patent D127,426 and Canada Patents D121,989 and D121,891

ORDERING INFORMATION

Metal Halide Lamp supplied with fixture	Total Watts	Lamp Type	Lamp Base	Ballast	Starting Amps/ Operating Amps				Input Watts	LAMP ANSI	Initial Lumens	Lamp Hours
					120V	208V	240V	277V				
	400	ED28	Mogul	CWA-HPF QT	3.5/4.0	2.0/2.3	1.8/2.0	1.5/1.8	450.0	M135	40000	20000

Factory Installed Options
 Add suffix to Catalog Number

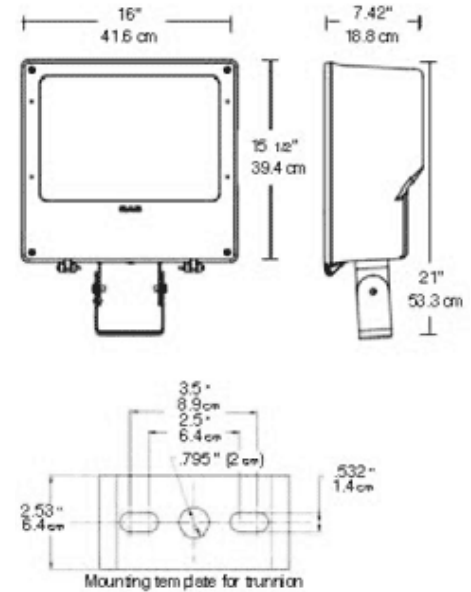
Swivel Photocontrol wired for 120V (/PCS)
 Single fusing for 120 and 277 volt. (/F)
 Double fusing for 208 and 240 volt. (/FF)

Button Photocontrol wired for 480V (/PC4)
 Button Photocontrol wired for 277V (/PC2)
 Button Photocontrol wired for 120V (/PC)
 480 volt ballast (substitute /480 for QT) (/480)

Note: Specifications may change without notice

RAB Lighting, Inc. • 170 Ludlow Ave • Northvale, NJ 07647 • Tel: 888 RAB-1000 • Fax: 888 RAB-1232 • www.rabweb.com
 © 2011

DIMENSIONS



EISA 2007 Compliant

This product complies with the new law for metal halide ballast efficiency. This law goes into effect January 1st, 2008. Pulse Start offers Longer Lamp Life, Faster Startup and Faster Restrike.

Country of Origin

Designed by RAB in New Jersey and assembled in the USA by IBEW Local 3

Buy American Act Compliant

This product is a COTS item manufactured in the United States, and is compliant with the Buy American Act.

Recovery Act (ARRA) Compliant

This product complies with the 52.225-21 "Required Use of American Iron, Steel, and Manufactured Goods-- Buy American Act-- Construction Materials (October 2010)

Trade Agreements Act Compliant

This product is a COTS item manufactured in the United States, and is compliant with the Trade Agreements Act.

GSA Schedule

This product is suitable for listing on the GSA Schedule of the US General Services in accordance with FAR Subpart 25.4

Color

Bronze

Weight

30.7