



STL110W



JOB NAME: _____
 DATE: _____
 TYPE: _____

DESCRIPTION

STEALTH Sensor with 110° view. Double Look Down lens, surge protection, LED Detection Indicator and Color Matched Lens.

SPECIFICATIONS

UL Listing

Suitable for wet locations

Power Consumption

1 watt

Time Adjustment

5 seconds to 12 minutes

Surge Protection

Withstands up to 6000 volts

Wide Sensitivity Control

Adjustable from 100% to 30%

Temperature Compensation

Sensitivity adjusts automatically for consistent detection in hot and cold ambient temperatures

Wall Switch Manual Override

Two flip logic prevents activation by momentary power outages. Override resets to auto at dawn. No extra wiring needed

LED Detection Indicator

Shows when sensor is detecting in daytime and glows red at night for "on-guard" deterrence

Advanced Detection Logic

Minimizes false triggers

Color Matched Lens

Dark lens with bronze units, white lens with white units

RF Immunity

Circuits fully shielded for maximum radio frequency immunity

Horizontal Lock, No-tool Joints

Keeps sensing pattern level for fast, error-free installation

Photoelectric Control

Deactivates lights during daylight. Fully adjustable for 24 hour operation or custom applications

Floodlights

Precision die cast aluminum. 1/2" NPS threaded arm with serrated locking swivel fits all standard mounting boxes and covers

Voltage

120 Volts AC 60 Hertz

Detection

110° view

Switching Capacity

1000 watts incandescent @ 120 volts, 8 amps

Patents

RAB sensor and fixture designs are protected under U.S. and International Intellectual Property laws.

Warranty

10 year sensor warranty

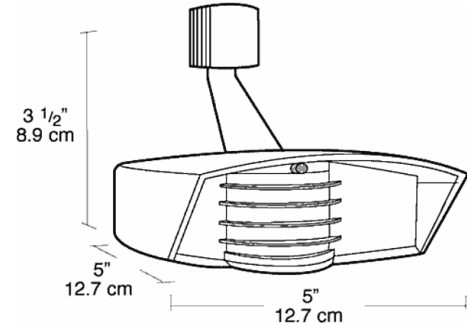
Color

White

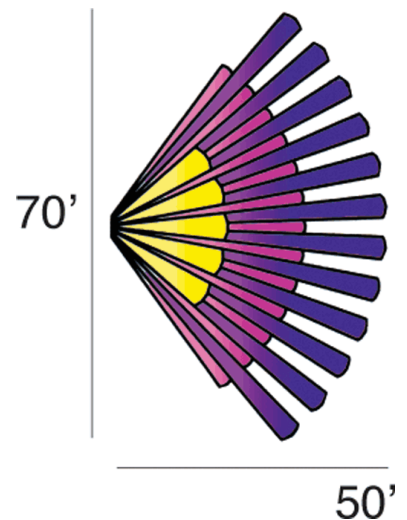
Weight

0.98

DIMENSIONS



DETECTION PATTERN



Note: Specifications may change without notice