

# STL200



JOB NAME: \_\_\_\_\_  
 DATE: \_\_\_\_\_  
 TYPE: \_\_\_\_\_

## DESCRIPTION

STEALTH Sensor with special 200• detection pattern to provide wide coverage side to side. Excellent for building perimeter protection. Lens masks allow customization of detection zone.

## SPECIFICATIONS

### UL Listing

Suitable for wet locations

### Power Consumption

1 watt

### Time Adjustment

5 seconds to 12 minutes

### Surge Protection

Withstands up to 6000 volts

### Wide Sensitivity Control

Adjustable from 100% to 30%

### Temperature Compensation

Sensitivity adjusts automatically for consistent detection in hot and cold ambient temperatures

### Wall Switch Manual Override

Two flip logic prevents activation by momentary power outages. Override resets to auto at dawn. No extra wiring needed

### LED Detection Indicator

Shows when sensor is detecting in daytime and glows red at night for "on-guard" deterrence

### Advanced Detection Logic

Minimizes false triggers

### Color Matched Lens

Dark lens with bronze units, white lens with white units

### RF Immunity

Circuits fully shielded for maximum radio frequency immunity

### Horizontal Lock, No-tool Joints

Keeps sensing pattern level for fast, error-free installation

### Photoelectric Control

Deactivates lights during daylight. Fully adjustable for 24 hour operation or custom applications

### Floodlights

Precision die cast aluminum. 1/2" NPS threaded arm with serrated locking swivel fits all standard mounting boxes and covers

### Voltage

120 Volts AC 60 Hertz

### Lens Mask

Customized press apply lens mask included to reduce coverage easily

### Detection

200• view

### Switching Capacity

1000 watts incandescent @ 120 volts, 8 amps

### Patents

RAB sensor and fixture designs are protected under U.S. and International Intellectual Property laws

### Warranty

10 year sensor warranty

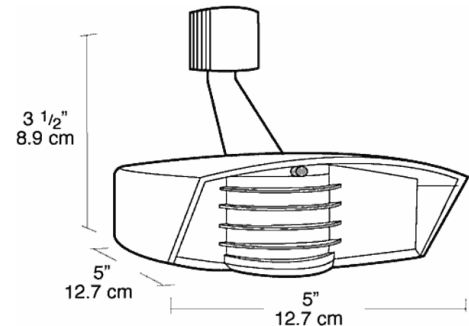
### Color

Bronze

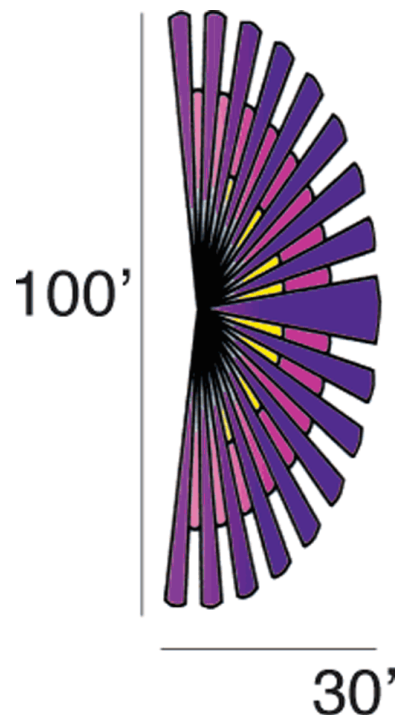
### Weight

0.98

## DIMENSIONS



## DETECTION PATTERN



Note: Specifications may change without notice