



JOB NAME: _____

DATE: _____

TYPE: _____

DESCRIPTION

Super Stealth Sensor with Total 360 + 180 "Can't Miss" Coverage, Surge Protection, Scanning LEDs, Evening Timer and Color Matched Lens, Universal CU4 cover plate included.

SPECIFICATIONS

UL Listing

Suitable for wet locations.

Voltage

120 volts AC 60 Hz

Power Consumption

1 watt

Time Adjustment

5 seconds to 12 minutes

Scanning LEDs

3 LEDs continually scan back-and-forth

Surge Protection

Withstands up to 6000 volts

Wide Sensitivity Control

Adjustable from 100% to 30%

Temperature Compensation

Sensitivity adjusted automatically for consistent detection in hot and cold ambient temperatures.

Wall Switch Manual Override

Two flip logic prevents activation by momentary power outages. Override resets to auto at dawn. No extra wiring needed.

Evening Timer

Keeps lights on for 1-8 hours after dusk. Then sensor is motion activated until dawn.

Set it and forget it

STL360's full coverage pattern reduces need for aiming and adjustment.

Advanced Detection Logic

Minimizes false triggers

Color Matched Lens

Dark lens with bronze units, white lens with white units

Lens Masks

Customized press apply lens mask included to reduce coverage easily

RF Immunity

Circuits fully shielded for maximum radio frequency immunity.

Photoelectric Control

Deactivates lights during daylight. Fully adjustable for 24 hour operation or custom applications.

Detection

Senses 180° out and 360° down for Total Detection

Switching Capacity

8 amps, 1000 watts incandescent @ 120 volts

Patents

RAB sensor and fixture designs are protected under U.S. and International Intellectual Property laws.

Warranty

10 year sensor warranty

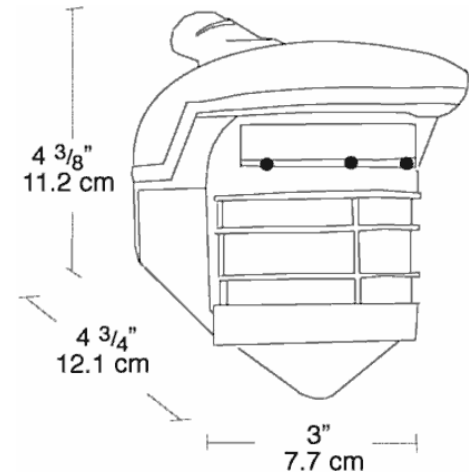
Color

White

Weight

1.5

DIMENSIONS



DETECTION PATTERN

