



# WP2CH100QT



JOB NAME: \_\_\_\_\_  
 DATE: \_\_\_\_\_  
 TYPE: \_\_\_\_\_

## DESCRIPTION

Wallpack with cutoff glare shield. All aluminum precision die cast construction with tempered glass lens. 30• cutoff strip included. Lamp supplied.

## SPECIFICATIONS

### UL Listing

Suitable for wet locations. HID fixtures can be wired with 90• C supply wiring if supply wires are routed 3" away from ballast.

### Housing

Die cast aluminum, 1/2" NPS tapped holes top, both sides and back for conduit or photocontrol. Hinged refractor frame. Continuous silicone rubber gasket.

### Reflector

Specular anodized aluminum, removable for installation. Symmetrical light pattern maximizes distance between fixtures.

### Cutoff Lens

Tempered glass.

### Refractor

Prismatic optics designed to minimize glare and throw light down and out. Heat resistant borosilicate glass.

### Finish

Chip and fade resistant polyester powder coating.

### Quad Tap

Fixture works with 120, 208, 240 and 277 Volts

### Patents

RAB sensor and fixture designs are protected under U.S. and International Intellectual Property laws

### EISA 2007 Compliant

This product complies with the new law for metal halide ballast efficiency. This law goes into effect January 1st, 2008. Pulse Start offers Longer Lamp Life, Faster Startup and Faster Restrike.

### Country of Origin

Designed by RAB in New Jersey and assembled in the USA by IBEW Local 3

### Buy American Act Compliant

This product is a COTS item manufactured in the United States, and is compliant with the Buy American Act.

### Recovery Act (ARRA) Compliant

This product complies with the 52.225-21 "Required Use of American Iron, Steel, and Manufactured Goods-- Buy American Act-- Construction Materials (October 2010)

### Trade Agreements Act Compliant

This product is a COTS item manufactured in the United States, and is compliant with the Trade Agreements Act.

### GSA Schedule

This product is suitable for listing on the GSA Schedule of the US General Services in accordance with FAR Subpart 25.4

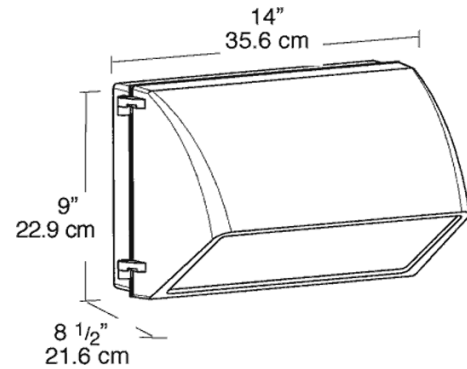
### Color

Bronze

### Weight

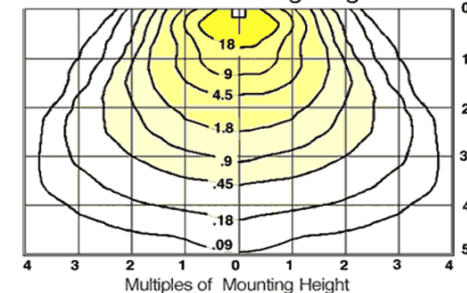
14.73

## DIMENSIONS



## PHOTOMETRIC

150w HPS @10' Mounting Height



Mounting Height	Multiplier	Watts	Multiplier HPS	Multiplier MH	Multiplier CFL
8'	1.6	175	1.0		
10'	1.0	150	1.1	.9	
12'	.7	100	.6	.6	
16'	.4	70	.4	.4	
20'	.25	42			.2

## ORDERING INFORMATION

Metal Halide Lamp supplied with fixture	Total Watts	Lamp Type	Lamp Base	Ballast	Starting Amps/ Operating Amps				Input Watts	LAMP ANSI	Initial Lumens	Lamp Hours
					120V	208V	240V	277V				
	100	ED17	Medium	HX-HPF QT	1.2/1.2	.7/.7	.7/.8	.6/.5	129.0	M90	9000	15000

**Factory Installed Options**  
 Add suffix to Catalog Number

Tamperproof screws (/TP)  
 Swivel Photocontrol (/PCS)  
 Single fusing for 120 and 277 volt (/F)

Double fusing for 208 and 240 volt (/FF)  
 Button Photocontrol for 208 - 277 volt (/PC2)  
 Button Photocontrol (/PC)

Note: Specifications may change without notice