



# WP2CH150PSQ



JOB NAME: \_\_\_\_\_  
 DATE: \_\_\_\_\_  
 TYPE: \_\_\_\_\_

## DESCRIPTION

Wallpack with cutoff glare shield. All aluminum precision die cast construction with tempered glass lens. 30° cutoff strip included. Lamp supplied.

## SPECIFICATIONS

### UL Listing

Suitable for wet locations. HID fixtures can be wired with 90° C supply wiring if supply wires are routed 3" away from ballast.

### Housing

Die cast aluminum, 1/2" NPS tapped holes top, both sides and back for conduit or photocontrol. Hinged refractor frame. Continuous silicone rubber gasket.

### Reflector

Specular anodized aluminum, removable for installation. Symmetrical light pattern maximizes distance between fixtures.

### Cutoff Lens

Tempered glass.

### Refractor

Prismatic optics designed to minimize glare and throw light down and out. Heat resistant borosilicate glass.

### Finish

Chip and fade resistant polyester powder coating.

### Pulse Start

Pulse Start metal halide for increased lamp life, lumen maintenance, color uniformity and efficiency

### Patents

RAB sensor and fixture designs are protected under U.S. and International Intellectual Property laws

### Country of Origin

Designed by RAB in New Jersey and assembled in the USA by IBEW Local 3

### Buy American Act Compliant

This product is a COTS item manufactured in the United States, and is compliant with the Buy American Act.

### Recovery Act (ARRA) Complaint

This product complies with the 52.225-21 "Required Use of American Iron, Steel, and Manufactured Goods-- Buy American Act--

### ORDERING INFORMATION

**Metal Halide**  
Lamp supplied with fixture

Total Watts	Lamp Type	Lamp Base	Ballast
150	ED17/U	Medium	HX-HPF QT

Starting Amps/ Operating Amps				Input Watts	LAMP ANSI	Initial Lumens	Lamp Hours
120V	208V	240V	277V				
1.3/1.6	40/179	.7/.8	.6/.5	190.0	M102	14000	15000

**Factory Installed Options**  
Add suffix to Catalog Number

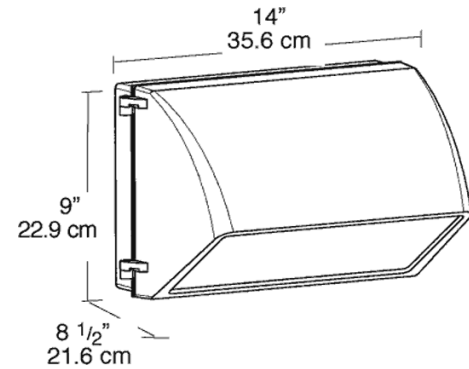
Tamperproof screws (/TP)  
Swivel Photocontrol (/PCS)  
Single fusing for 120 and 277 volt (/F)

Double fusing for 208 and 240 volt (/FF)  
Button Photocontrol for 208 - 277 volt (/PC2)  
Button Photocontrol (/PC)

Note: Specifications may change without notice

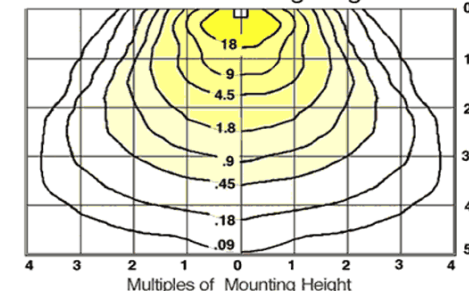
**RAB Lighting, Inc.** • 170 Ludlow Ave • Northvale, NJ 07647 • Tel: 888 RAB-1000 • Fax: 888 RAB-1232 • www.rabweb.com  
 © 2011

## DIMENSIONS



## PHOTOMETRIC

150w HPS @10' Mounting Height



Mounting Height	Multiplier	Watts	Multiplier HPS	Multiplier MH	Multiplier CFL
8'	1.6	175	1.0		
10'	1.0	150	1.1	.9	
12'	.7	100	.6	.6	
16'	.4	70	.4	.4	
20'	.25	42			.2