



WPTF28



JOB NAME: _____
 DATE: _____
 TYPE: _____

DESCRIPTION

28 thru 42 watt compact fluorescent Tallpack. Vandal resistant polycarbonate housing. Heavy die-cast aluminum back plate with 1/2" bottom and back conduit opening. Factory installed 120V photocell with bypass cap included. Operating temperature 28w (-20°F), 26, 32 & 42w(0°F). Lamp supplied.

SPECIFICATIONS

UL Listing

Suitable for wet locations

Reflector

Die formed aluminum for wide light distribution. Moveable Glare Shield for field adjustable light control slanted slightly downward for more light on the job

Ballast Housing

Stamped steel painted white

Back Plate

Heavy die cast aluminum. 1/2" bottom conduit knockout. Knockouts for mounting to 3" or 4" junction boxes

Housing and Refractor

Vandal resistant polycarbonate molded refractor. Die cast aluminum back plate

Ballast Minimum Starting Temperature

-20° F

Patents

The unique RAB Tallpack is protected by U.S. Patent D569,029; China Patent ZL200730149211.2; Taiwan Patent D124,864 and Canada Patent D121,993

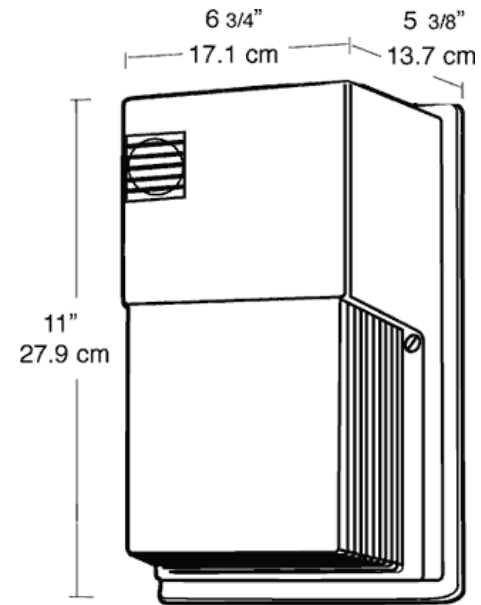
Color

Bronze

Weight

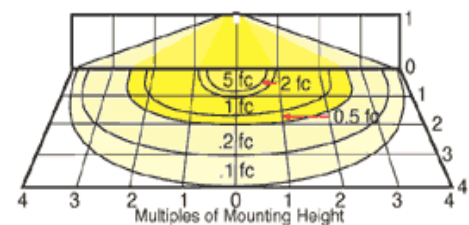
5

DIMENSIONS



PHOTOMETRIC

70w HPS @ 10' Mounting Height



Mounting Height	Multiplier	HPS		CFL	
		Watts	Multiplier	Watts	Multiplier
8'	1.6	100	1.5	22	.2
10'	1.0	70	1.0	42	.5
12'	.7	50	.6		
16'	.4	35	.4		
20'	.25				
		MH Watts Multiplier			
		100	1.4		

ORDERING INFORMATION

Compact Fluorescent
Lamp supplied with fixture

Total Watts	Lamp Type	Lamp Base	Ballast
28	Quad	GX32d-3	NPF 120V

Starting Amps/ Operating Amps			
120V	208V	240V	277V
.6/2			

Input Watts	LAMP ANSI	Initial Lumens	Lamp Hours
26.0		1600	10000

Factory Installed Options
Add suffix to Catalog Number

Tamperproof screws (/TP)
Swivel Photocontrol (/PCS)
Single fusing for 120 and 277 volt (/F)

Double fusing for 208 and 240 volt (/FF)
Button Photocontrol (/PC)

Note: Specifications may change without notice