

CATALOG NUMBER: E-MCA00W71

FOR ONE 70 WATT, M85 or M98 or M139 MH LAMP

Line Voltage	120/208/240/277
Regulation	+/-10%
Frequency	60 Hz
Circuit Type	CWA
Insulation Class	H(180°)
Min. Ambient Starting Temp.	- 20° C

ELECTRICAL CHARACTERISTICS

Line Voltage	120	208	240	277
Line Current (Amps)				
Operating	0.85	0.50	0.43	0.39
Open Circuit	0.94	0.55	0.48	0.41
Starting	0.55	0.30	0.26	0.23
Input Watts (W)	95	95	95	95
Open Circuit Voltage (V)	215	215	215 <td 215	
Drop Out Voltage	60	100	115	135
UL(1029) Bench Top Rise	A	A	A	A
Recommended Fuse (Amps)	3	2	2	1

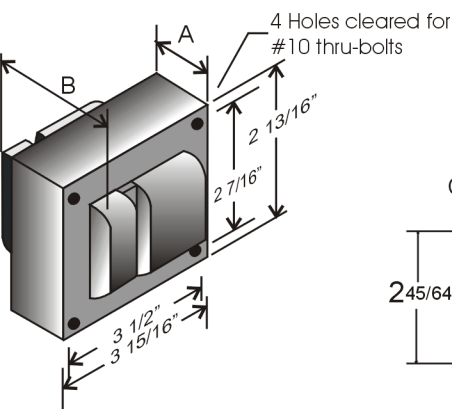
CORE AND COIL

Dimension A (inches)	1.60			
Dimension B (inches)	2.90			
Weight (lbs)	5.8			
Lead Lengths (inches)	12			

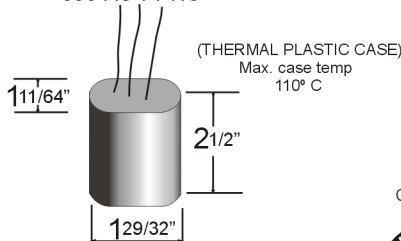
CAPACITOR REQUIREMENTS

Microfarad (Min volt)	9 Mfd, 300 VAC			
-----------------------	----------------	--	--	--

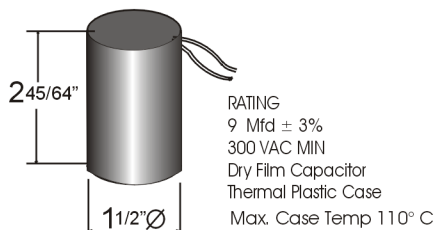
3" X 4" CORE



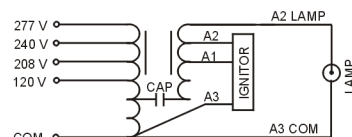
IGNITOR 356-AS-71-HC



CAPACITOR



WIRING DIAGRAM



MULTI VOLTAGE
120/208/240/277 VOLT CONNECTION

CERT. No.
006281



ISO 9001



Lighting Source
2707 Realty Road, Suite 110
Carrollton, TX 75006
Tel: (888) 385-4448
Fax: (972)