



## Festival LED Narrow Spot Light



### Application

TCP's Festival LED Narrow Spot Light is designed for applications that require a narrow beam spot light with a high lumen output. Applications include flag pole lighting, mines or caves, stage lighting, and other similar applications.

### Description

This LED luminaire was designed for optimum performance and is a more efficient alternative to incandescent, metal halide and linear lamp luminaires. The Festival LED Narrow Spot Light features an 10° beam angle, is easy to install, and has a long life, making it perfect for hard to reach areas.

### Festival LED Narrow Spot Light

#### Installation

Surface mounted w/supplied bracket. Before installation, please consult your local ordinances and building codes for compliance.

#### Warranty

Five years against defects in manufacturing.

#### Listing

Driver is UL listed (UL Wet Location pending)

### Construction

TCP's Festival LED Narrow Spot Light uses 30 High-Power LumiLED Rebel LEDs. It is constructed from die cast aluminum, which is powder coated in a durable brown finish. It is 13.18" long, 10.4" wide, 5" deep, and weighs 8.6 pounds. It has an IP65 weather rating.

### Electrical

The driver is UL listed, has a power factor of 0.99, and an input voltage of 120-277 VAC (50/60 Hz). The Luminaire is rated at 45 watts, with a THD of less than 10%. Electrical protections include OVP, OCP, SCP, and OTP.

### Performance

- LED Life: 50,000 hrs
- CCT: White 5500°K (Other color temperatures available upon request)
- CRI: 71
- Total Lumen Output: 2643 (LM-63-02 Test Procedure)
- Lumens Per Watt: 62
- Beam Angle: 10°
- Operating Temperature: -20°F ~ 140°F



Front View

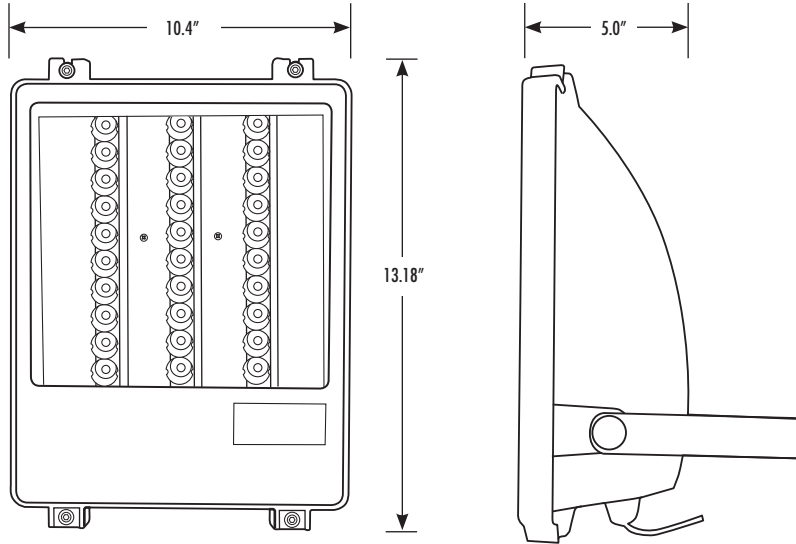
Side View



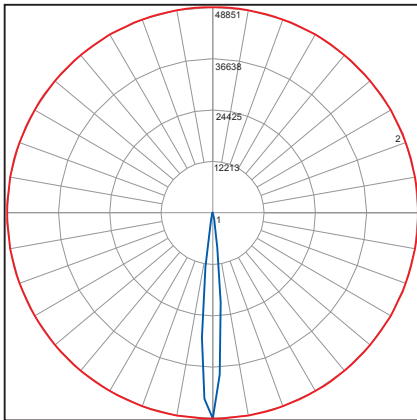


# Festival LED Narrow Spot Light

## Dimensions & Construction



## Photometric Report



Maximum Candela = 48850.961 Located At Horizontal Angle = 0, Vertical Angle = 0  
 # 1 - Vertical Plane Through Horizontal Angles (0 - 180) (Through Max. Cd.)  
 # 2 - Horizontal Cone Through Vertical Angle (0) (Through Max. Cd.)

### Candela Distribution

Effective Floor Cavity Reflectance 0.20

RC	80				70				50			30			10			0
RW	70	50	30	10	70	50	30	10	50	30	10	50	30	10	50	30	10	0
0	124	124	124	124	121	121	121	121	115	115	115	110	110	110	106	106	106	104
1	119	117	115	113	117	115	113	111	111	109	108	107	106	105	103	103	102	100
2	115	112	108	106	113	110	107	105	107	104	102	104	102	100	101	99	98	97
3	112	107	103	100	110	106	102	99	103	100	98	101	98	96	98	97	95	94
4	109	103	99	96	107	102	98	95	100	97	94	98	95	93	96	94	92	91
5	106	100	96	93	104	99	95	92	97	94	91	96	93	91	94	92	90	89
6	103	97	93	90	102	96	92	90	95	92	89	94	91	88	92	90	88	87
7	101	95	90	88	100	94	90	87	93	89	87	92	89	87	91	88	86	85
8	99	92	88	86	98	92	88	86	91	88	85	90	87	85	89	87	85	84
9	97	91	87	84	96	90	86	84	89	86	84	89	86	84	88	85	83	82
10	95	89	85	83	94	89	85	83	88	85	82	87	84	82	87	84	82	81

### Zonal Lumen Summary

Zone	Lumens	% Fixt.
0-30	2246	85
0-40	2388	90
0-60	2583	97
0-90	2642	100
90-120	0	0
90-130	0	0
90-150	0	0
90-180	0	0
0-180	2642	100

Total Luminaire Efficiency = N.A.%

### Luminaire Data in Candela/ Square Meter

Angle	0.0	45.0	90.0
45°	13037	14266	16385
55°	8577	9634	9940
65°	6748	6699	6588
75°	5233	3135	3753
85°	2500	1018	402

### Photometric Report

Total Input Watts (120V)	42.9
Luminaire Efficacy Rating (LER)	62%
Spacing Criterion (0-180)	0.16
Spacing Criterion (90-270)	0.16