

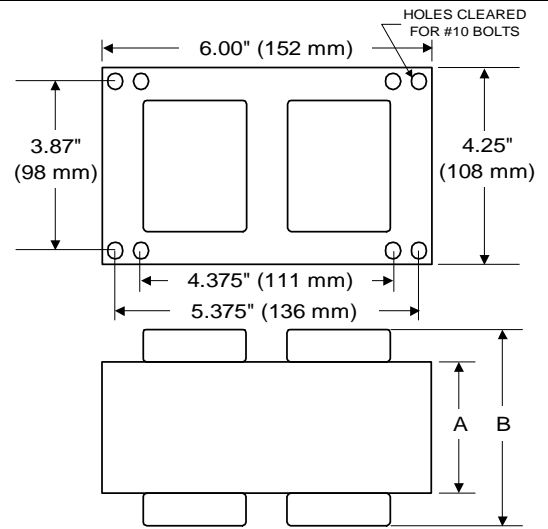


BALLAST SPECIFICATION

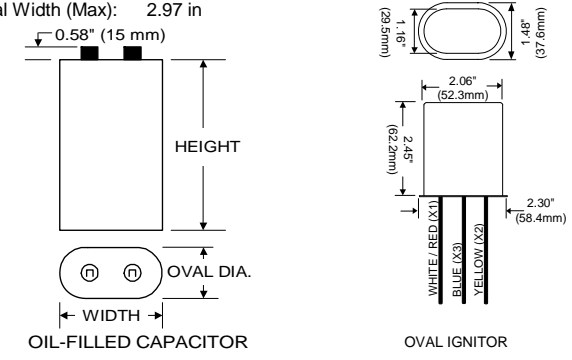
1000 M141
Pulse Start Metal Halide
V90Y7810T
60 Hz CWA

Input Volts	480
Line Current (Amps)	
Operating	2.25
Open Circuit	1.60
Starting	1.50
Recommended Fuse (Amps)	6
Regulation	
Line Volts	±10%
Lamp Watts	±10%
Temperature Ratings	
Insulation Class	180 (H)
Coil Temperature Code	D
Benchtop Coil Rise	85.0
Power Factor (Min)	90%
Input Watts	1082 W
Efficiency	92%
NOM. Open Circuit Voltage	420
Input Voltage At Lamp Dropout	300
Min Ambient Starting Temp	-20°F/-30°C*
60 HZ TEST PROCEDURES	
High Potential Test (Volts)	
1 Minute	2,000 V
1 Second	2,400 V
Open Circuit Voltage Test (V)	375 - 460
Short Circuit Current Test (A)	
Secondary Current	Min 4.75
	Max 5.85
Input Current	Min 1.10
	Max 1.80
CORE and COIL Specifications	
Dimension (A)	2.82 in
Dimension (B)	4.85 in
Weight	21.0 lb's
Lead Lengths	12"
Capacitor Requirement	
Microfarads	24.0 uf
Volts (Min)	480 V

4X6 CORE - HX, CWA CWI UNITS



Capacitor:	ACB2200V	Ignitor:	BVS-020
Microfarads:	24.0 uf	Case Temp (Max):	105 °C
Volts (Max):	480 V	BTL Distance (Max):	20 ft
Case Temp (Max):	100 °C		
Height (Max):	3.94 in		
Dia (Max):	1.97 in		
Oval Width (Max):	2.97 in		



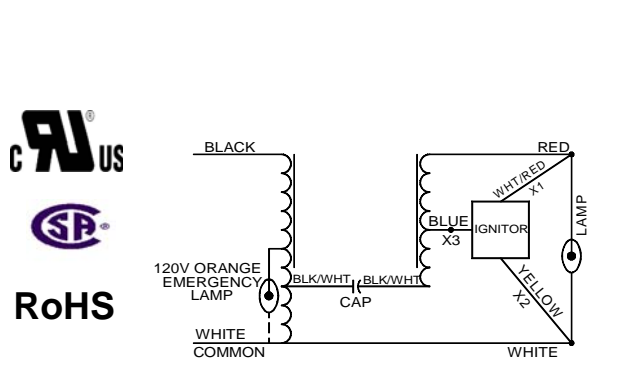
Ordering Information Add Suffix for options

C - With Capacitor
K - Prewired, with Capacitor and Bracket Kit
B - With Welded Bracket, no cap
CB - With Capacitor and Welded Bracket

* -40°F/-40°C Min Ambient Starting Temp with Venture Lamp
Coil material: primary Cu and secondary Cu

RoHS compliant on all manufactured products after August 1, 2007

Data is based upon tests performed by Venture Lighting in a controlled environment and is representative of relative performance. Actual performance can vary depending on operating conditions. Specifications are subject to change without notice.



10/8/2008 Production