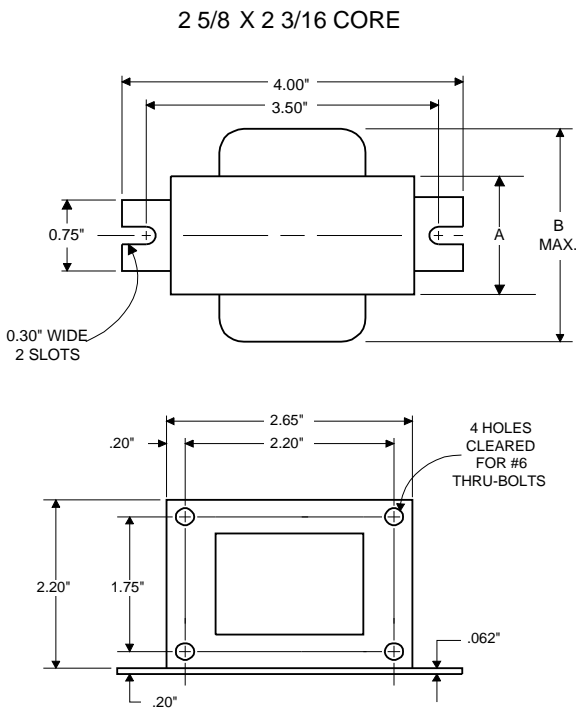
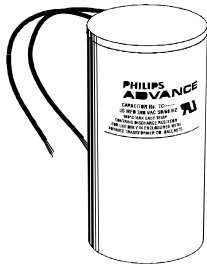


**DIMENSIONS AND DATA**



INPUT VOLTS	277				
CIRCUIT TYPE	R-HPF				
POWER FACTOR (min)	90%				
REGULATION					
Line Volts	±5%				
Lamp Watts	±10%				
LINE CURRENT (Amps)					
Operating.....	0.19				
Open Circuit.....	0.52				
Starting.....	0.30				
UL TEMPERATURE RATINGS					
Insulation Class	H(180°C)				
Coil Temperature Code	1029	A			
MIN. AMBIENT STARTING TEMP.	-20°F or -30°C				
NOM. OPEN CIRCUIT VOLTAGE	277				
INPUT VOLTAGE AT LAMP DROPOUT.....	190				
INPUT WATTS	48				
RECOMMENDED FUSE (Amps).....	2				
CORE and COIL					
Dimension (A)	0.95				
Dimension (B)	2.70				
Weight (lbs.)	1.9				
Lead Lengths	12"				
CAPACITOR REQUIREMENT					
Microfarads	5.0				
Volts (min.)	280				
Fault Current Withstand (amps)					
60 Hz TEST PROCEDURES (Refer to Philips Lighting Electronics N.A. TEST Procedure for HID Ballasts - Form 127 High Potential Test (Volts)					
1 minute	2000				
2 seconds	2500				
Open Circuit Voltage Test (Volts)	260-290				
Short-Circuit Current Test (Amps)					
Secondary Current	0.50-0.80				
Input Current.....	0.10-0.16	-	-	-	-

Capacitor: 7C050L30RA



Capacitance: 5  
Dia/Oval Dim: 1.25  
Height: 2.25  
Temp Rating: 105°C

**Wiring Diagram:**

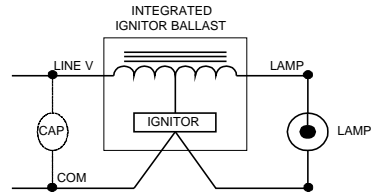


Fig. H

**Typical Ordering Information**

(please call Philips Lighting Electronics N.A. for suffix availability)

Order Suffix	Description
--------------	-------------

Ignitor: INTEGRAL

An ignitor integral to the core and coil assembly is used to start the lamp.

Ballast to Lamp Distance (BTL) = 2 feet  
Temp Rating: 125°C

Data is based upon tests performed by Philips Lighting Electronics N.A. in a controlled environment and is representative of relative performance. Actual performance can vary depending on operating conditions. Specifications are subject to change without notice.

**PHILIPS LIGHTING ELECTRONICS N.A.**

10275 WEST HIGGINS ROAD · ROSEMONT, IL 60018  
Tel: 800-322-2086 · Fax: 888-423-1882 · www.philips.com/advance  
Customer Support/Technical Service: 800-372-3331 · OEM Support: 866-915-5886