

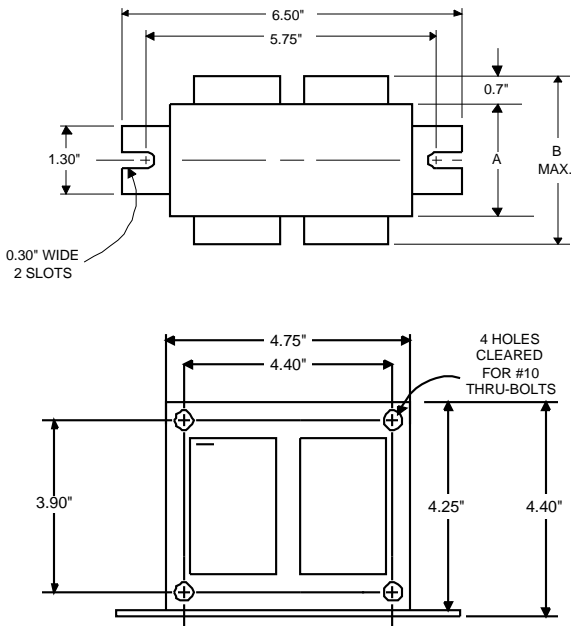


**Metal
Halide
Lamp Ballast**

**Catalog Number 71A5750
For 250W M58
60 Hz CWA
Status: Active**

DIMENSIONS AND DATA

4 1/4 X 4 3/4 CORE - 2 COIL UNIT



| | | 120 | 208 | 240 | 277 | 480 |
|--|----------------|------|------|------|------|------|
| INPUT VOLTS | | | | | | |
| CIRCUIT TYPE | CWA | | | | | |
| POWER FACTOR (min) | 90% | | | | | |
| REGULATION | | | | | | |
| Line Volts | ±10% | | | | | |
| Lamp Watts | ±10% | | | | | |
| LINE CURRENT (Amps) | | | | | | |
| Operating..... | | 2.60 | 1.50 | 1.40 | 1.10 | 0.65 |
| Open Circuit..... | | 2.00 | 1.20 | 1.00 | 0.90 | 0.50 |
| Starting..... | | 2.40 | 1.40 | 1.20 | 1.05 | 0.60 |
| UL TEMPERATURE RATINGS | | | | | | |
| Insulation Class | H(180°C) | | | | | |
| Coil Temperature Code | 1029 | A | A | B | A | B |
| MIN. AMBIENT STARTING TEMP. | -20°F or -30°C | | | | | |
| NOM. OPEN CIRCUIT VOLTAGE | 315 | | | | | |
| INPUT VOLTAGE AT LAMP DROPOUT..... | | 60 | 104 | 120 | 140 | 240 |
| INPUT WATTS | 290 | | | | | |
| RECOMMENDED FUSE (Amps)..... | | 8 | 5 | 5 | 3 | 2 |
| CORE and COIL | | | | | | |
| Dimension (A) | 1.60 | | | | | |
| Dimension (B) | 3.10 | | | | | |
| Weight (lbs.) | 10 | | | | | |
| Lead Lengths | 12" | | | | | |
| CAPACITOR REQUIREMENT | | | | | | |
| Microfarads | 15.0 | | | | | |
| Volts (min.) | 400 | | | | | |
| Fault Current Withstand (amps) | | | | | | |
| 60 Hz TEST PROCEDURES (Refer to Advance Test Procedure for HID Ballasts - Form 1270) | | | | | | |
| High Potential Test (Volts) | | | | | | |
| 1 minute | 2000 | | | | | |
| 2 seconds | 2500 | | | | | |
| Open Circuit Voltage Test (Volts) | 285-345 | | | | | |
| Short-Circuit Current Test (Amps) | | | | | | |
| Secondary Current | 2.25-2.80 | | | | | |
| Input Current..... | | 1.90 | 1.10 | 0.90 | 0.80 | 0.45 |
| | | 2.90 | 1.70 | 1.40 | 1.25 | 0.75 |

Capacitor: 7C150P40-R



Capacitance: 15
Dia/Oval Dim: 1.75
Height: 3.75
Temp Rating: 105°C

Ignitor: NA

This ballast does not require the use of an ignitor.



Wiring Diagram:

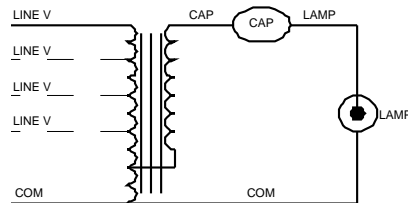


Fig. A

Typical Ordering Information

(please call Advance for suffix availability)

| Order Suffix | Description |
|--------------|---|
| 510D | Ballast w/Welded Bracket & Dry Film Capacitor |

Data is based upon tests performed by Advance Transformer in a controlled environment and representative of relative performance. Actual performance can vary depending on operating conditions. Specifications are subject to change without notice.

ADVANCE

O'HARE INTERNATIONAL CENTER · 10275 WEST HIGGINS ROAD · ROSEMONT, IL 60018
Customer Support/Technical Service: Phone: 800-372-3331 · Fax: 630-307-3071
Corporate Offices: Phone: 800-322-2086

07/27/01