

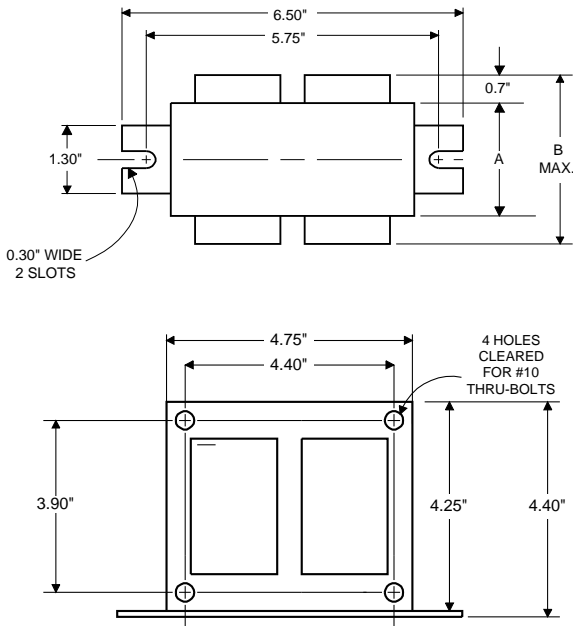
**PHILIPS  
ADVANCE**

**Metal  
Halide  
Lamp Ballast**

**Catalog Number 71A6052AEE  
For 400W M135/M155 (P.S.)  
60 Hz SUPER-CWA  
Status: Active**

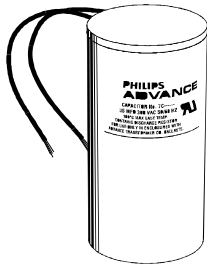
**DIMENSIONS AND DATA**

4 1/4 X 4 3/4 CORE - 2 COIL UNIT



INPUT VOLTS	120	208	240	277	480	
CIRCUIT TYPE	SUPER-CWA					
POWER FACTOR (min)	90%					
REGULATION						
Line Volts	±10%					
Lamp Watts	±10%					
LINE CURRENT (Amps)						
Operating.....	3.80	2.30	1.90	1.65	0.95	
Open Circuit.....	2.70	1.60	1.30	0.80	0.65	
Starting.....	3.00	1.70	1.50	1.20	0.75	
UL TEMPERATURE RATINGS	H(180°C)					
Insulation Class	1029					
Coil Temperature Code	-20°F or -30°C					
MIN. AMBIENT STARTING TEMP.	275					
NOM. OPEN CIRCUIT VOLTAGE						
INPUT VOLTAGE AT LAMP DROPOUT.....	454	60	104	120	138	240
INPUT WATTS						
RECOMMENDED FUSE (Amps).....	10	7	5	5	3	
CORE and COIL						
Dimension (A)	2.20					
Dimension (B)	4.30					
Weight (lbs.)	11					
Lead Lengths	12"					
CAPACITOR REQUIREMENT						
Microfarads	26.0					
Volts (min.)	330					
Fault Current Withstand (amps)						
60 Hz TEST PROCEDURES (Refer to Philips Lighting Electronics N.A. TEST Procedure for HID Ballasts - Form 127 High Potential Test (Volts)						
1 minute	2000					
2 seconds	2500					
Open Circuit Voltage Test (Volts)	250-305					
Short-Circuit Current Test (Amps)	3.55-4.35					
Secondary Current						
Input Current.....	2.20-	1.35-	1.10-	0.75-	0.55-	
	3.40	2.10	1.70	1.30	0.85	

Capacitor: 7C260P33-R

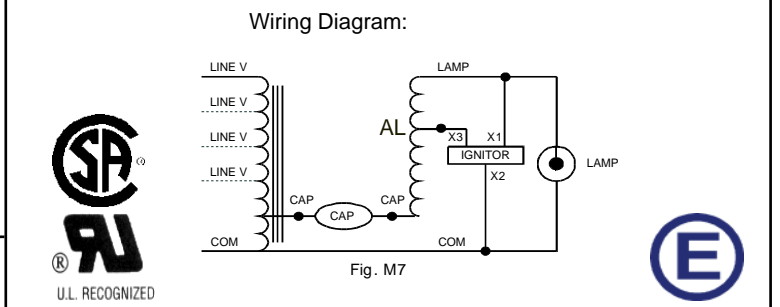


Capacitance: 26  
Dia/Oval Dim: 1.75  
Height: 4.8  
Temp Rating: 105°C

Ignitor: LI533-H4



Ballast to Lamp Distance (BTL) = 2 feet  
Temp Rating: 105°C



**Typical Ordering Information**  
(please call Philips Lighting Electronics N.A. for suffix availability)

Order Suffix	Description
EE	EISA COMPLIANT - 88% EFFICIENT BALLAST

Data is based upon tests performed by Philips Lighting Electronics N.A. in a controlled environment and is representative of relative performance. Actual performance can vary depending on operating conditions. Specifications are subject to change without notice.

**PHILIPS LIGHTING ELECTRONICS N.A.**

10275 WEST HIGGINS ROAD · ROSEMONT, IL 60018

Tel: 800-322-2086 · Fax: 888-423-1882 · www.philips.com/advance

Customer Support/Technical Service: 800-372-3331 · OEM Support: 866-915-5886

Revised: 10/26/09