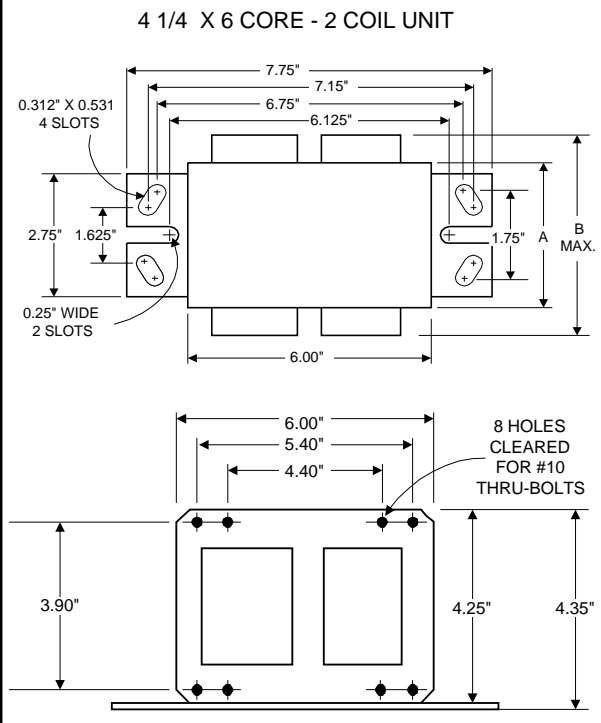


**PHILIPS
ADVANCE**

**Metal
Halide
Lamp Ballast**

**Catalog Number 71A6452
For 750W M149 (Pulse Start)
60 Hz SUPER-CWA
Status: Active**

DIMENSIONS AND DATA



	120	208	240	277	480
INPUT VOLTS					
CIRCUIT TYPE	SUPER-CWA				
POWER FACTOR (min)	90%				
REGULATION					
Line Volts	±10%				
Lamp Watts	±10%				
LINE CURRENT (Amps)					
Operating.....	7.00	4.00	3.50	3.00	1.80
Open Circuit.....	3.30	2.00	1.80	1.70	0.80
Starting.....	6.60	3.80	3.30	2.80	1.65
UL TEMPERATURE RATINGS					
Insulation Class	H(180°C)				
Coil Temperature Code	1029				
MIN. AMBIENT STARTING TEMP.	-20°F or -30°C				
NOM. OPEN CIRCUIT VOLTAGE	355				
INPUT VOLTAGE AT LAMP DROPOUT.....	60	104	120	138	240
INPUT WATTS	818				
RECOMMENDED FUSE (Amps).....	20	10	10	8	5
CORE and COIL					
Dimension (A)	2.33				
Dimension (B)	4.25				
Weight (lbs.)	18				
Lead Lengths	12"				
CAPACITOR REQUIREMENT					
Microfarads	28.0				
Volts (min.)	400				
Fault Current Withstand (amps)					
60 Hz TEST PROCEDURES (Refer to Philips Lighting Electronics N.A. TEST Procedure for HID Ballasts - Form 127 High Potential Test (Volts)					
1 minute	2000				
2 seconds	2500				
Open Circuit Voltage Test (Volts)	320-390				
Short-Circuit Current Test (Amps)					
Secondary Current	5.00-6.00				
Input Current.....	5.00-7.50	2.90-4.30	2.50-3.80	2.10-3.25	1.25-1.90

Capacitor: 7C280S40



Capacitance: 28
Dia/Oval Dim: 2.00
Height: 4.8
Temp Rating: 105°C



Wiring Diagram:

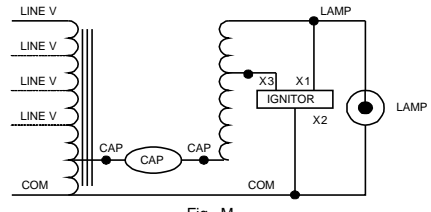


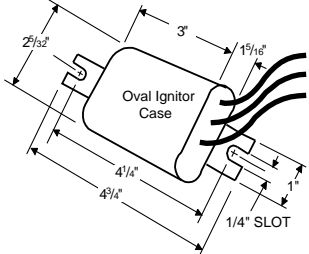
Fig. M

Typical Ordering Information

(please call Philips Lighting Electronics N.A. for suffix availability)

Order Suffix	Description

Ignitor: LI573-H5



Ballast to Lamp Distance (BTL) = 15 feet
Temp Rating: 105°C

Data is based upon tests performed by Philips Lighting Electronics N.A. in a controlled environment and is representative of relative performance. Actual performance can vary depending on operating conditions. Specifications are subject to change without notice.

PHILIPS LIGHTING ELECTRONICS N.A.
10275 WEST HIGGINS ROAD · ROSEMONT, IL 60018
Tel: 800-322-2086 · Fax: 888-423-1882 · www.philips.com/advance
Customer Support/Technical Service: 800-372-3331 · OEM Support: 866-915-5886