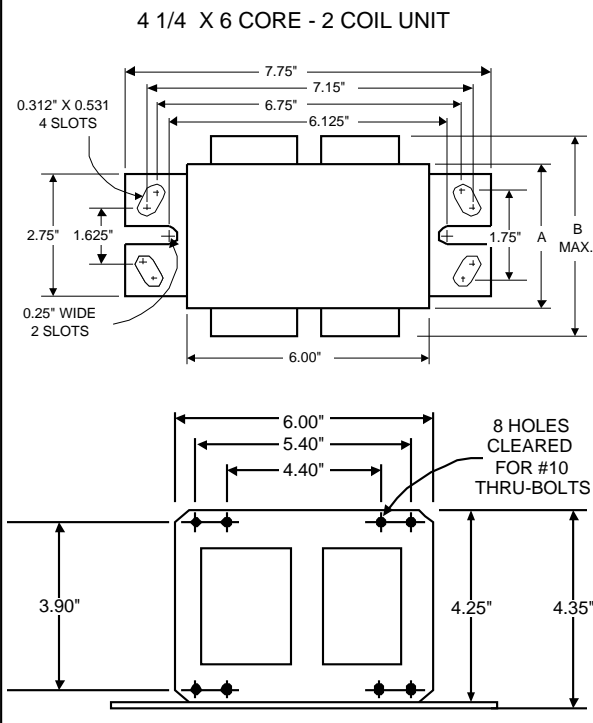




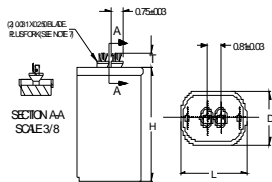
**Metal  
Halide  
Lamp Ballast**

**Catalog Number 71A6552  
For 1000W M47  
60 Hz CWA  
Status: Active**

**DIMENSIONS AND DATA**



Capacitor: MD2409-100

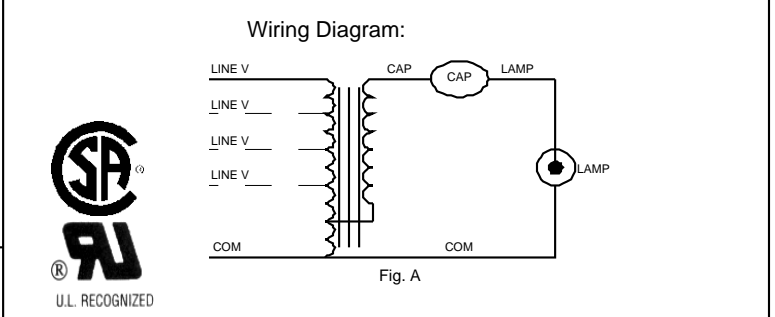


Capacitance: 24  
Dia/Oval Dim: 1.75  
Height: 3.9  
Temp Rating: 90°C

Ignitor: NA

This ballast does not require the use of an ignitor.

		120	208	240	277	480
<b>INPUT VOLTS</b>						
CIRCUIT TYPE		CWA				
POWER FACTOR (min)		96%				
<b>REGULATION</b>						
Line Volts		±10%				
Lamp Watts		±10%				
<b>LINE CURRENT (Amps)</b>						
Operating.....		9.05	5.60	4.70	4.07	2.36
Open Circuit.....		5.16	4.30	3.09	2.61	1.60
Starting.....		6.00	2.82	3.00	2.30	1.53
<b>UL TEMPERATURE RATINGS</b>						
Insulation Class		H(180°C)				
Coil Temperature Code		1029				
		D	D	B	B	B
MIN. AMBIENT STARTING TEMP.		-30°F or -35°C				
NOM. OPEN CIRCUIT VOLTAGE		426				
INPUT VOLTAGE AT LAMP DROPOUT.....		78	125	150	180	290
INPUT WATTS		1080				
RECOMMENDED FUSE (Amps).....		22	15	12	10	6
<b>CORE and COIL</b>						
Dimension (A)		3.00				
Dimension (B)		4.70				
Weight (lbs.)		22				
Lead Lengths		12"				
<b>CAPACITOR REQUIREMENT</b>						
Microfarads		24.0				
Volts (min.)		480				
Fault Current Withstand (amps)						
<b>60 Hz TEST PROCEDURES (Refer to Advance Test Procedure for HID Ballasts - Form 1270)</b>						
<b>High Potential Test (Volts)</b>						
1 minute		2000				
2 seconds		2500				
Open Circuit Voltage Test (Volts)		383-468				
<b>Short-Circuit Current Test (Amps)</b>						
Secondary Current		4.97-6.08				
Input Current.....		4.35	2.16	2.04	1.80	1.00
		6.52	3.24	3.06	2.71	1.51



**Typical Ordering Information**  
(please call Advance for suffix availability)

Order Suffix	Description

Data is based upon tests performed by Advance Transformer in a controlled environment and representative of relative performance. Actual performance can vary depending on operating conditions. Specifications are subject to change without notice.

**ADVANCE**

O'HARE INTERNATIONAL CENTER · 10275 WEST HIGGINS ROAD · ROSEMONT, IL 60018  
Customer Support/Technical Service: Phone: 800-372-3331 · Fax: 630-307-3071  
Corporate Offices: Phone: 800-322-2086

12/08/05