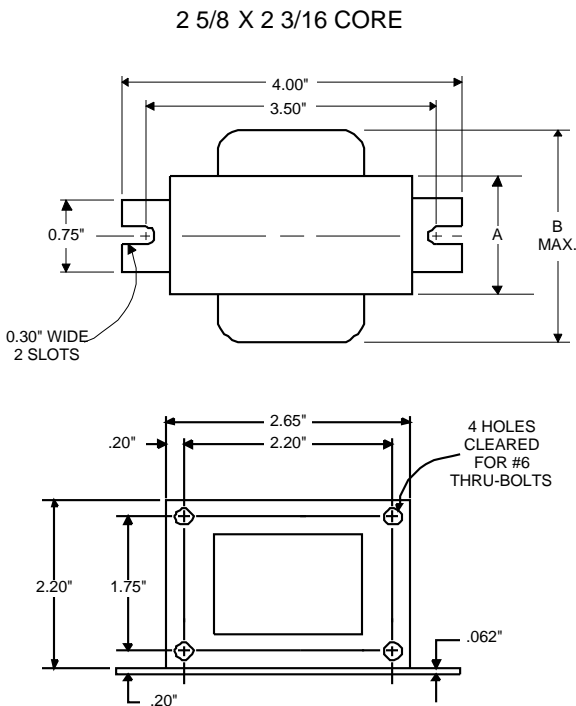


### DIMENSIONS AND DATA



|                                                                                                                                      |                  |   |   |   |   |
|--------------------------------------------------------------------------------------------------------------------------------------|------------------|---|---|---|---|
| INPUT VOLTS                                                                                                                          | 120              |   |   |   |   |
| CIRCUIT TYPE                                                                                                                         | R-HPF            |   |   |   |   |
| POWER FACTOR (min)                                                                                                                   | 90%              |   |   |   |   |
| REGULATION                                                                                                                           |                  |   |   |   |   |
| Line Volts                                                                                                                           | ±5%              |   |   |   |   |
| Lamp Watts                                                                                                                           | WITHIN TRAPEZOID |   |   |   |   |
| LINE CURRENT (Amps)                                                                                                                  |                  |   |   |   |   |
| Operating.....                                                                                                                       | 1.05             |   |   |   |   |
| Open Circuit.....                                                                                                                    | 1.80             |   |   |   |   |
| Starting.....                                                                                                                        | 1.50             |   |   |   |   |
| UL TEMPERATURE RATINGS                                                                                                               |                  |   |   |   |   |
| Insulation Class                                                                                                                     | H(180°C)         |   |   |   |   |
| Coil Temperature Code                                                                                                                | 1029             | A |   |   |   |
| MIN. AMBIENT STARTING TEMP.                                                                                                          | -40°F or -40°C   |   |   |   |   |
| NOM. OPEN CIRCUIT VOLTAGE                                                                                                            | 120              |   |   |   |   |
| INPUT VOLTAGE AT LAMP DROPOUT.....                                                                                                   | 96               |   |   |   |   |
| INPUT WATTS                                                                                                                          | 115              |   |   |   |   |
| RECOMMENDED FUSE (Amps).....                                                                                                         | 5                |   |   |   |   |
| CORE and COIL                                                                                                                        |                  |   |   |   |   |
| Dimension (A)                                                                                                                        | 1.50             |   |   |   |   |
| Dimension (B)                                                                                                                        | 3.00             |   |   |   |   |
| Weight (lbs.)                                                                                                                        | 2.8              |   |   |   |   |
| Lead Lengths                                                                                                                         | 12"              |   |   |   |   |
| CAPACITOR REQUIREMENT                                                                                                                |                  |   |   |   |   |
| Microfarads                                                                                                                          | 36.0             |   |   |   |   |
| Volts (min.)                                                                                                                         | 120              |   |   |   |   |
| Fault Current Withstand (amps)                                                                                                       |                  |   |   |   |   |
| 60 Hz TEST PROCEDURES (Refer to Philips Lighting Electronics N.A. TEST Procedure for HID Ballasts - Form High Potential Test (Volts) |                  |   |   |   |   |
| 1 minute                                                                                                                             | 2000             |   |   |   |   |
| 2 seconds                                                                                                                            | 2500             |   |   |   |   |
| Open Circuit Voltage Test (Volts)                                                                                                    | 114-126          |   |   |   |   |
| Short-Circuit Current Test (Amps)                                                                                                    |                  |   |   |   |   |
| Secondary Current                                                                                                                    | 2.40-3.60        |   |   |   |   |
| Input Current.....                                                                                                                   | 1.00             | - | - | - | - |
|                                                                                                                                      | 1.60             |   |   |   |   |

Capacitor: 7C360M12



Capacitance: 36  
Dia/Oval Dim: 1.75  
Height: 3.75  
Temp Rating: 105°C

Ignitor: INTEGRAL

An ignitor integral to the core and coil assembly is used to start the lamp.

Ballast to Lamp Distance (BTL) = 2 feet  
Temp Rating: 125°C

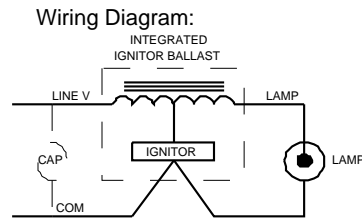


Fig. H

### Typical Ordering Information

(please call Philips Lighting Electronics N.A. for suffix availability)

| Order Suffix | Description |
|--------------|-------------|
|              |             |

Data is based upon tests performed by Philips Lighting Electronics N.A. in a controlled environment and is representative of relative performance. Actual performance can vary depending on operating conditions. Specifications are subject to change without notice.

## PHILIPS LIGHTING ELECTRONICS N.A.

10275 WEST HIGGINS ROAD · ROSEMONT, IL 60018

Tel: 800-322-2086 · Fax: 888-423-1882 · www.philips.com/advance

Customer Support/Technical Service: 800-372-3331 · OEM Support: 866-915-5886

Revised: 05/15/03