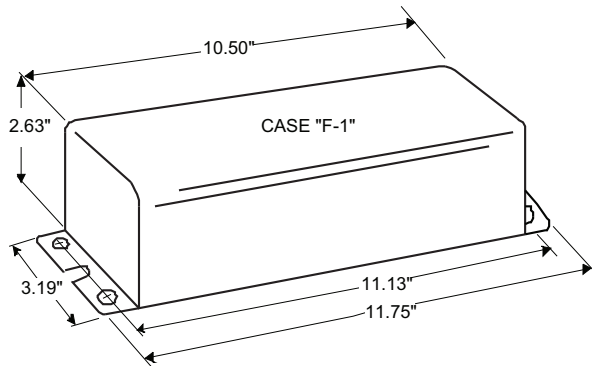


**PHILIPS
ADVANCE**

**Metal
Halide
Lamp Ballast**

**Catalog Number 72C5381
For 100W M90/M140
60 Hz HX-HPF
Status: Active**

DIMENSIONS AND DATA



INPUT VOLTS	120	277			
CIRCUIT TYPE	HX-HPF				
POWER FACTOR (min)	90%				
REGULATION					
Line Volts	±5%				
Lamp Watts	±12%				
LINE CURRENT (Amps)					
Operating.....	1.10	0.48			
Open Circuit.....	2.55	1.10			
Starting.....	2.20	0.95			
UL TEMPERATURE RATINGS					
Insulation Class	A (105°C)				
Coil Temperature Code	1029				
MIN. AMBIENT STARTING TEMP.	-20°F or -30°C				
NOM. OPEN CIRCUIT VOLTAGE	277				
INPUT VOLTAGE AT LAMP DROPOUT.....	72	166			
INPUT WATTS	125				
RECOMMENDED FUSE (Amps).....	6	3			
CORE and COIL					
Dimension (A)					
Dimension (B)	11				
Weight (lbs.)	12"				
Lead Lengths					
CAPACITOR REQUIREMENT					
Microfarads					
Volts (min.)					
Fault Current Withstand (amps)					
60 Hz TEST PROCEDURES (Refer to Philips Lighting Electronics N.A. TEST Procedure for HID Ballasts - Form High Potential Test (Volts)					
1 minute	1600				
2 seconds	2000				
Open Circuit Voltage Test (Volts)	250-305				
Short-Circuit Current Test (Amps)	1.30-1.60				
Secondary Current					
Input Current.....	0.70	0.30	-	-	-
	1.10	0.50			

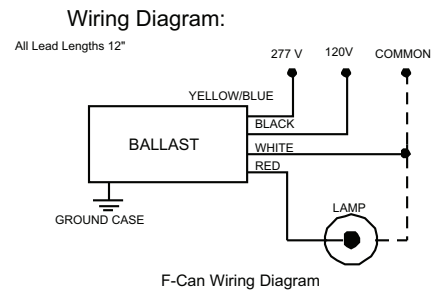
Capacitor:

The capacitor is included as part of the potted assembly.

Ignitor: IN CAN

The ignitor is included as part of the potted assembly.

Ballast to Lamp Distance (BTL) = 15 feet
Temp Rating: 90°C



Typical Ordering Information

(please call Philips Lighting Electronics N.A. for suffix availability)

Order Suffix	Description
--------------	-------------

Data is based upon tests performed by Philips Lighting Electronics N.A. in a controlled environment and is representative of relative performance. Actual performance can vary depending on operating conditions. Specifications are subject to change without notice.

PHILIPS LIGHTING ELECTRONICS N.A.

10275 WEST HIGGINS ROAD · ROSEMONT, IL 60018

Tel: 800-322-2086 · Fax: 888-423-1882 · www.philips.com/advance

Customer Support/Technical Service: 800-372-3331 · OEM Support: 866-915-5886

Revised: 09/03/99