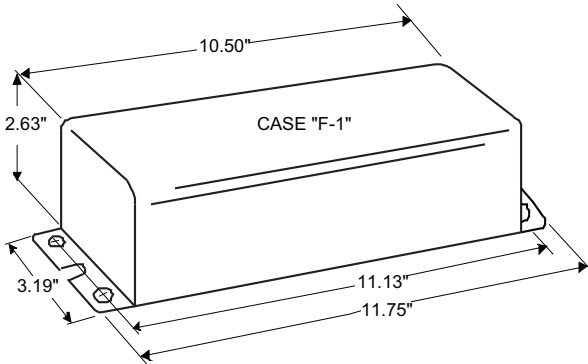


**PHILIPS  
ADVANCE**

**Metal  
Halide  
Lamp Ballast**

**Catalog Number 72C5581  
For 175/150W M57/M107  
60 Hz CWA  
Status: Active**

**DIMENSIONS AND DATA**



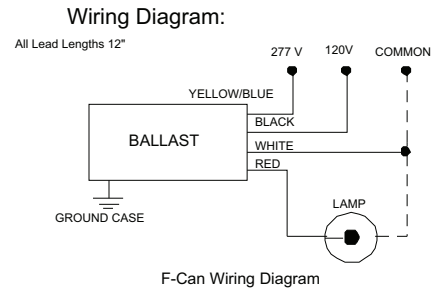
INPUT VOLTS		120	277			
CIRCUIT TYPE	CWA					
POWER FACTOR (min)	90%					
REGULATION						
Line Volts	±10%					
Lamp Watts	±10%					
LINE CURRENT (Amps)						
Operating.....		1.75	0.75			
Open Circuit.....		2.15	0.92			
Starting.....		0.85	0.36			
UL TEMPERATURE RATINGS	A (105°C)					
Insulation Class	1029					
Coil Temperature Code	-20°F or -30°C	A	A			
MIN. AMBIENT STARTING TEMP.	300					
NOM. OPEN CIRCUIT VOLTAGE						
INPUT VOLTAGE AT LAMP DROPOUT.....		60	138			
INPUT WATTS						
RECOMMENDED FUSE (Amps).....		5	3			
CORE and COIL						
Dimension (A)						
Dimension (B)	14					
Weight (lbs.)	12"					
Lead Lengths						
CAPACITOR REQUIREMENT						
Microfarads						
Volts (min.)						
Fault Current Withstand (amps)						
60 Hz TEST PROCEDURES (Refer to Philips Lighting Electronics N.A. TEST Procedure for HID Ballasts - Form						
High Potential Test (Volts)	1600					
1 minute	2000					
2 seconds	270-330					
Open Circuit Voltage Test (Volts)	1.55-1.90					
Short-Circuit Current Test (Amps)						
Secondary Current						
Input Current.....		0.56	0.24	-	-	-
		0.85	0.36			

Capacitor:

The capacitor is included as part of the potted assembly.

Ignitor: NA

This ballast does not require the use of an ignitor.



**Typical Ordering Information**

(please call Philips Lighting Electronics N.A. for suffix availability)

Order Suffix	Description

Data is based upon tests performed by Philips Lighting Electronics N.A. in a controlled environment and is representative of relative performance. Actual performance can vary depending on operating conditions. Specifications are subject to change without notice.

**PHILIPS LIGHTING ELECTRONICS N.A.**

10275 WEST HIGGINS ROAD · ROSEMONT, IL 60018

Tel: 800-322-2086 · Fax: 888-423-1882 · www.philips.com/advance

Customer Support/Technical Service: 800-372-3331 · OEM Support: 866-915-5886

Revised: 09/07/01