

SL039 Instructions

LAMP SET UP:

Note: It is best to have *two people* for set up, as lamp head is large and heavy.

1. Set up tripod legs. When legs are at the desired distance and tilt, tighten small knob **(a)** at center pole to secure in position.
2. Unscrew center knob **(b)** at top of tripod and remove. Center the cradle arm of lamp head over tripod top, aligning holes. Replace knob and screw in tightly to secure lamp head in position.

TO ADD LIGHTBULB:

Note: Bulb wattage should not exceed 100 watts.

3. Unscrew 4 screws at back of lamp and remove lamp back cover **(c)**.
4. Screw lightbulb into holder.
5. Replace lamp back cover. Screw two screws loosely into opposite holes, and repeat for remaining two screws. Tighten each equally in stages, until lamp back is firmly held in place.

Warning: Lamp will get hot when in use.

TO POSITION LAMP HEAD:

6. **TILT:** Slightly loosen large knobs **(d)** at each side of lamp head and small knob **(e)** at left side. Tilt lamp head to desired position. Retighten large knobs and then small knob to secure in position.

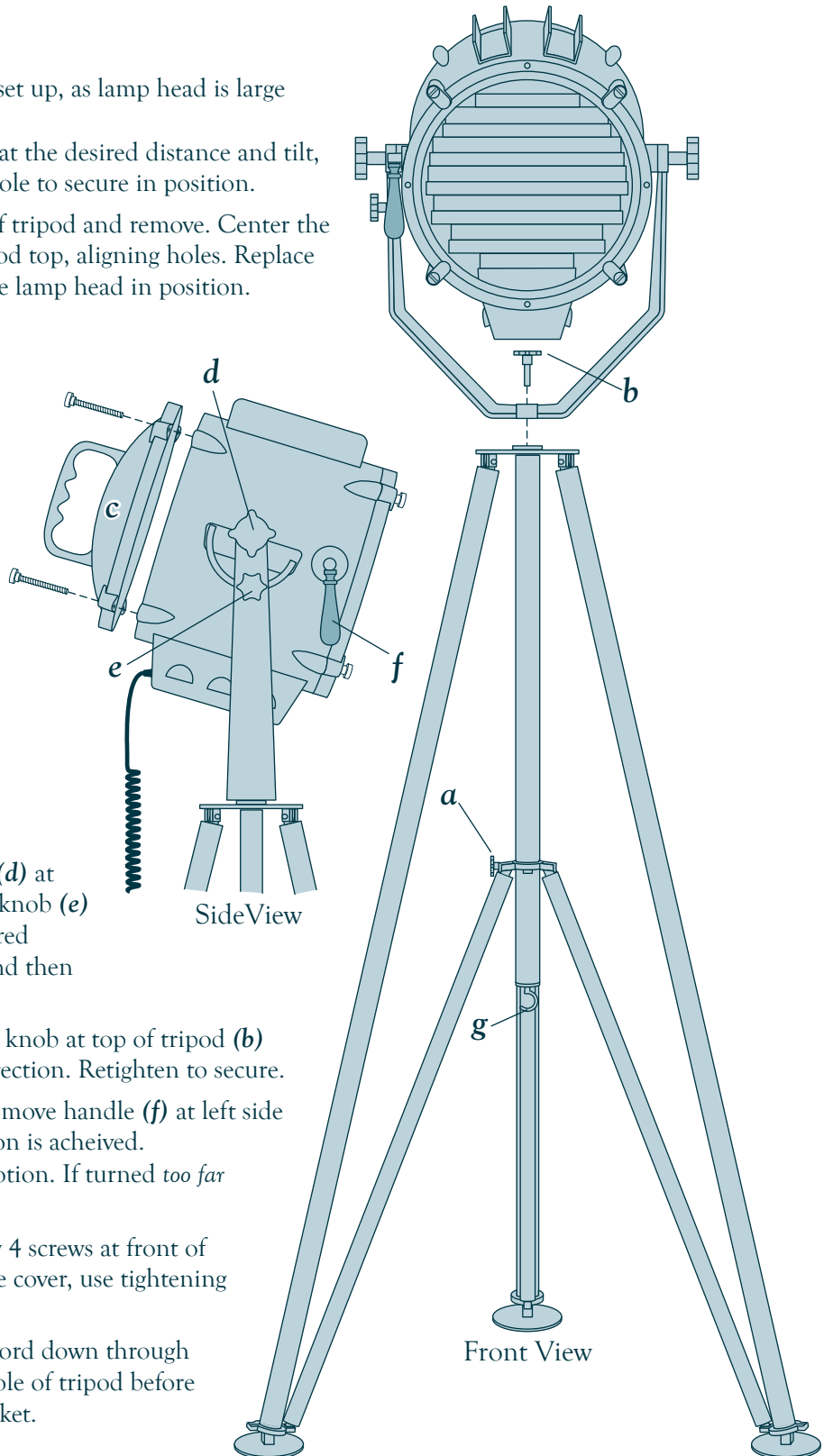
ROTATION: Slightly loosen center knob at top of tripod **(b)** and rotate lamp head in either direction. Retighten to secure.

7. To open and close louvers, gently move handle **(f)** at left side of lamp head, until desired position is achieved.

Note: Handle has a small range of motion. If turned *too far* there is a risk of damage to louvers.

8. To clean interior of glass, unscrew 4 screws at front of lamp and remove cover. To replace cover, use tightening procedure in step 5 above.

9. To direct cord toward floor, run cord down through hook **(g)** at lower end of center pole of tripod before plugging end of cord into wall socket.



The Netherlands
AM NL
Ambachtsweg 37
NL-3899 AM
Zeewolde

United States
AM USA
888 Garfield
P.O. Box 21710
Eugene, OR 97402

