

INSTALLATION INSTRUCTIONS

The H4 is rated for 12 watts and ONLY designed to be used with CREE LR4E products:

- LR4E-15
- LR4E-15C
- LR4E-30
- LR4E-30C

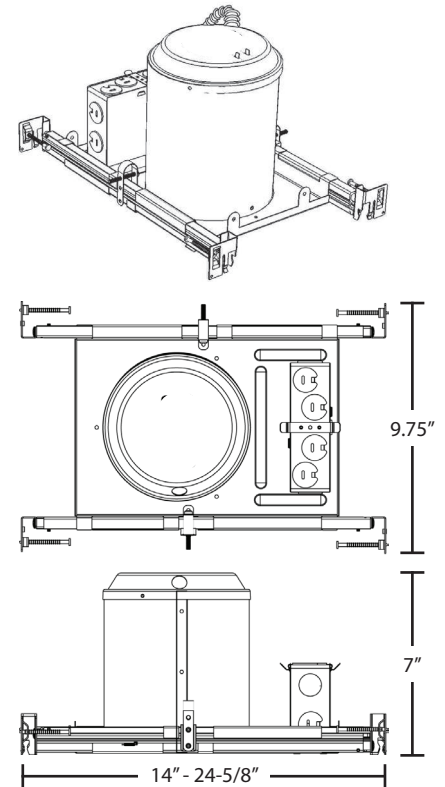
H4 is designed for both Insulated (completely buried in insulation) and Non-insulated applications.

Designed for use in 120 volt, 60 hertz protected circuit (fuse box, circuit breakers) and 90° C rated supply wire.

Important Safety Information

READ ALL INSTRUCTIONS BEFORE INSTALLATION

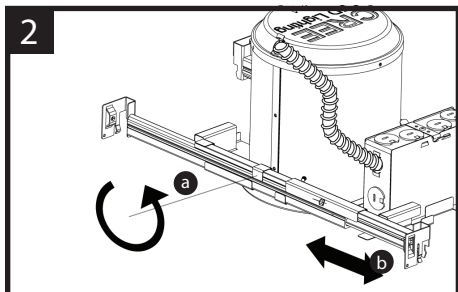
1. Before installing this fixture or doing any maintenance, make sure to turn off the power supply at the circuit breaker or fuse box .
2. Check to make sure that all fixture connections have been properly made and the fixture is grounded to avoid potential electrical shocks.
3. Do not handle energized fixture with wet hands, when standing on wet or damp surfaces, or in water.



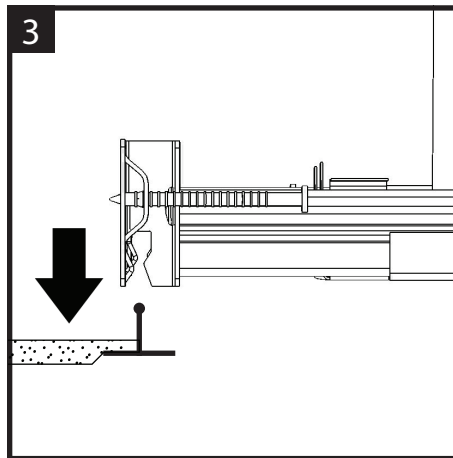
Installing Rough-In
Suspended Ceiling



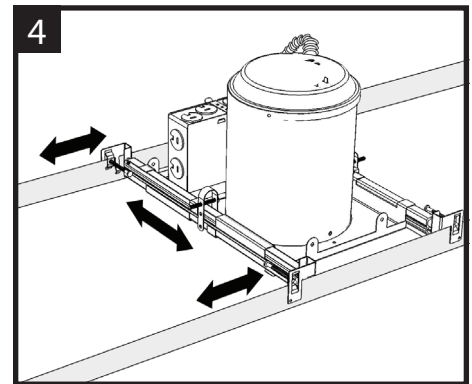
1. Locate two 24" T-bar hangers with the slots standing up.



2. Pull rails to desired length [b]. The range of the rails are 14" to 24-5/8".



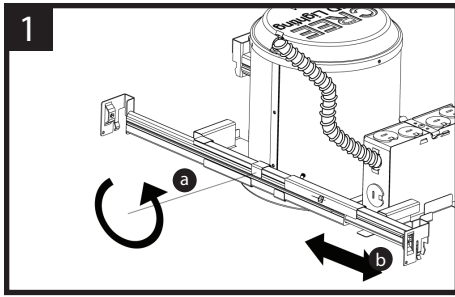
3. Hang the first side of the H4 rail brackets over the T-bar hangers. Pull the opposite side of the attached rails out to reach the other side of the opening that you are mounting the fixture within. Hang rail brackets over the opposite T-bar hangers.



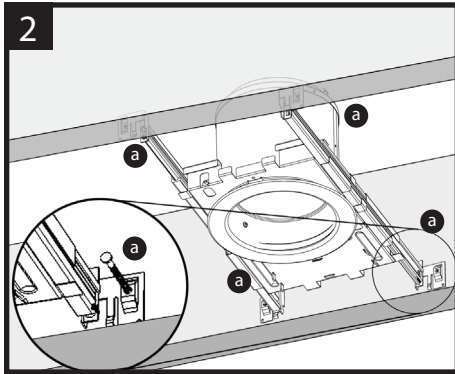
4. Slide pan assembly back and forth along rails until the can position is located properly.

5. Tighten rail brakes to lock assembly in the desired position if desired.

Wood Joist Installation



1. Pull rails to desired length [b].

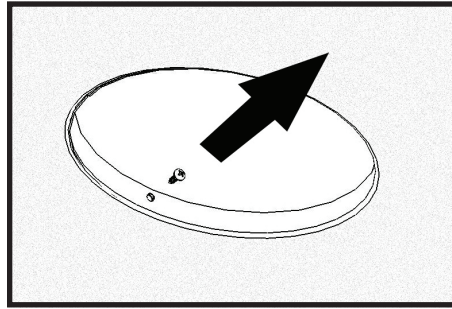


2. Line Hanger brackets bottom edge with bottom of joist and hammer in nailers [a] to secure.

3. Follow the same procedure for the opposite brackets. Tighten rail brakes to secure can in desired position if needed.

NOTE: GU-24 socket inside can is taped to the can to prevent damage & overspray during installation or painting. Remove tape after all painting has been completed.

Post Installation J-Box Access

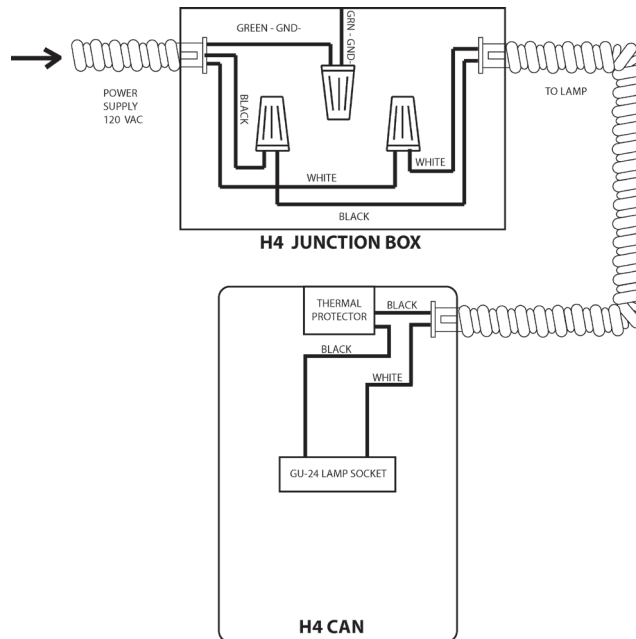


To access j-box after H4 and ceiling installation, remove 3 screws at the base of the recessed can. Push can aside and access j-box. Replace can and screws when finished and before installation of the LR4E.

Wiring Rough-in

1. Remove snap on junction box cover and appropriate knock-out with a flat blade screwdriver. Bring supply wires into the j-box using shielded cable and connect shielded cable securely through open knockout. Connect supply leads and ground wire to the appropriate fixture wires located within the j-box. See j-box wiring diagram (below) for proper connections.

NOTE: This device is not intended for use with emergency exit fixtures or emergency exit lighting.



H4 PAN WIRING DIAGRAM

U.S. Patent # 7,213,940; D571038
U.S. & Foreign Patents Pending
Made in China

CREE
LED Lighting

LPN000005 Rev.D

www.CreeLEDLighting.com

LIMITED WARRANTY

The limited warranty set forth below is given by Cree, LED Lighting Solutions, Inc. ("CreeLLS") with respect to the lighting product packaged with this limited warranty (the "Product"). Your Product, when delivered to you in new condition in its original packaging, is warranted against defects in materials or workmanship as follows: for a period of three (3) years from the date of original purchase, defective parts or a defective Product returned to CreeLLS, or its authorized service providers, as applicable, and proven to be defective upon inspection, will be repaired, or exchanged for a new Product, as determined by CreeLLS, or the authorized service provider. This limited warranty covers all defects encountered in normal use of the Product, and does not apply in the following cases: (a) Loss of or damage to the Product due to abuse, mishandling, alteration, accident, electrical current fluctuations, failure to follow operating, maintenance or environmental instructions prescribed by CreeLLS in writing or services performed by someone other than CreeLLS or an authorized service provider. WARRANTY IS VOID IF PRODUCT IS NOT USED FOR THE PURPOSE FOR WHICH THIS PRODUCT IS MANUFACTURED. Any complaints you may have regarding the product should be addressed to Cree, LED Lighting Solutions, Inc., Keystone Technology Park VI, 635 Davis Drive, Suite 100, Morrisville, NC 27560. NO IMPLIED WARRANTY, INCLUDING ANY IMPLIED WARRANTY OF MERCHANTABILITY OR FITNESS FOR A PARTICULAR PURPOSE, APPLIES TO THE PRODUCT AFTER THE APPLICABLE PERIOD OF THE EXPRESS LIMITED WARRANTY STATED ABOVE, AND NO OTHER EXPRESS WARRANTY OR GUARANTY, EXCEPT AS MENTIONED ABOVE, GIVEN BY ANY PERSON OR ENTITY WITH RESPECT TO THE PRODUCT SHALL BIND CREE LLS. (SOME STATES AND PROVINCES DO NOT ALLOW LIMITATIONS ON HOW LONG AN IMPLIED WARRANTY LASTS, SO THE ABOVE LIMITATION MAY NOT APPLY TO YOU.) This device complies with part 15 of the FCC Rules. Operation is subject to the following two conditions: (1) This device may not cause harmful interference, and (2) this device must accept any interference received, including interference that may cause undesired operation. **CAUTION:** Any changes or modifications not expressly approved by the party responsible for compliance could void the user's authority to operate the equipment.