



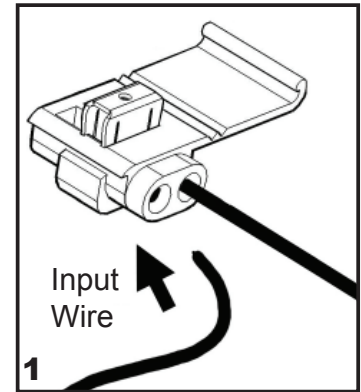
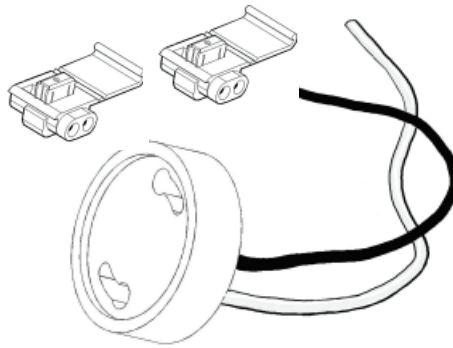
GU-24 SOCKET ASSEMBLY WHIP INSTALLATION

Parts:

- Gu-24 Socket with two wires (white & black)
- (2) Insulation Displacement Connectors

Tools Needed:

- Pliers to Crimp connectors on wires

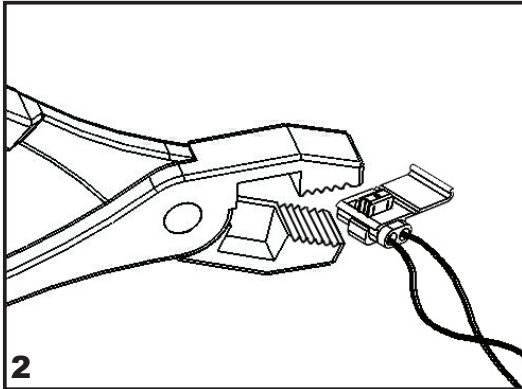


1. Insert blunt cut Black wires of both input and whip fully into one connector.

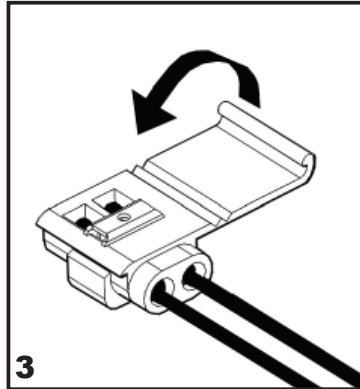
CAUTION:

TURN OFF POWER TO FIXTURE BEFORE CONNECTING GU-24 SOCKET TO FIXTURE INPUT WIRES.

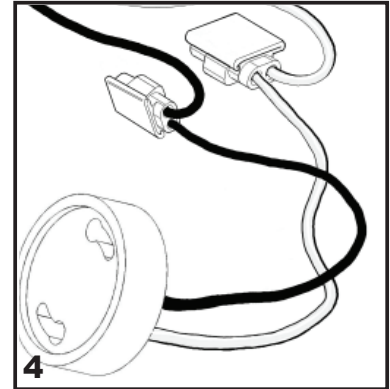
See Installation instructions for fixture for further assembly instructions.



2. Crimp down on metal blade with medium pressure until swing door can be closed and locked.



3. Fold over swing door until it snaps closed. Repeat procedure 1-3 for white wires.



4. Socket is now ready to be used to connect new fixture.