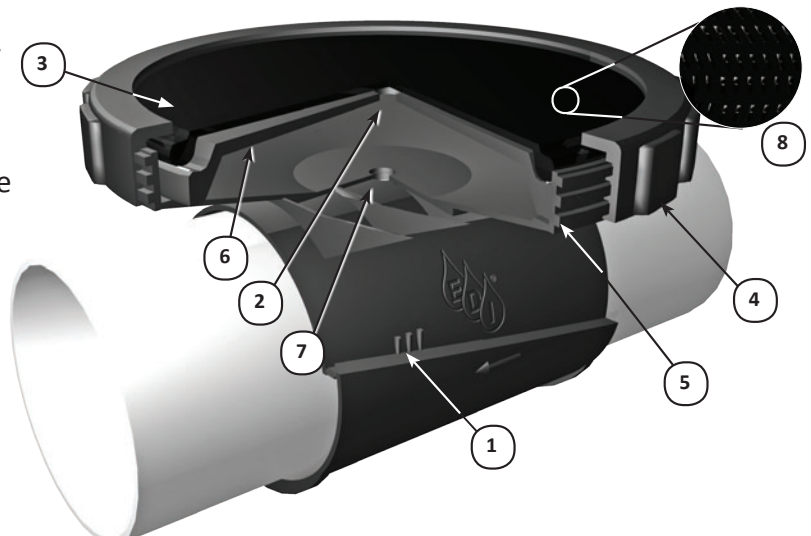
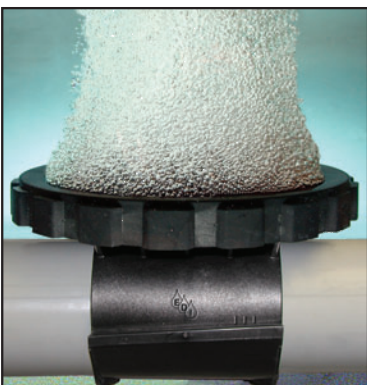


## PRODUCT SPECIFICATION SHEET

# EDI FlexAir<sup>®</sup> Disc with Spectrum<sup>™</sup> Saddle Mount Fine Pore Flexible Membrane Technology

FlexAir<sup>®</sup> Disc diffusers incorporate EDI advanced technologies for superior aeration performance, flexibility, and reliability.

- Precision die cut openings for high oxygen transfer, uniform air release, and low operating pressure
- High capacity membrane option available for maximum airflow and low operating pressure
- Advanced technology premium quality membrane materials available in EPDM, special polymer blends, and convertible to ceramic media as required
- Full 9-inch (230 mm) of active surface area
- Triple check valve design prevents entry of liquid/solids into piping. Ideal for on / off applications
- Resistant to fouling and plugging for low maintenance
- Rugged, heavy-duty construction – withstands over 700 lb (320 kg) edge load without failure
- Glass fiber reinforced polypropylene construction for maximum chemical, temperature, and UV resistance
- Spectrum<sup>™</sup> Saddle Mount provides ease of installation and maintenance
- KlicLoc<sup>™</sup> retainer for positive mechanical lock
- Available in 3 inch, 4-inch, 90 mm and 110 mm pipe sizes for design flexibility
- Mounts on any pipe material (PVC, ABS, CPVC, SS, etc...)
- Standard units IN STOCK for immediate shipment



- |  |                         |
|--|-------------------------|
| 1. Saddle Mount with KlicLoc <sup>™</sup> Retainer | 5. Diffuser Body        |
| 2. Primary Check Valve Feature                     | 6. Backer Plate         |
| 3. Flexible Membrane Media                         | 7. Air Inlet Orifice    |
| 4. Membrane Retainer Ring                          | 8. Die Cut Perforations |



[www.wastewater.com](http://www.wastewater.com)  
Environmental Dynamics Incorporated

Value Solutions  
Since 1975

# PRODUCT SPECIFICATION SHEET

The FlexAir® disc diffuser provides unmatched mechanical strength, operating flexibility and oxygen transfer efficiency. The innovative Spectrum Saddle Mount provides maximum mechanical integrity – up to three times the strength of conventional solvent welded mounting systems.

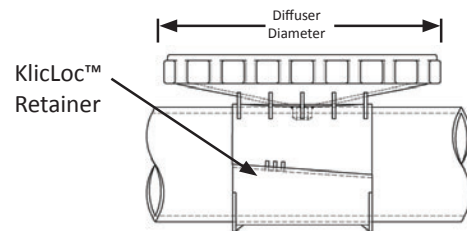
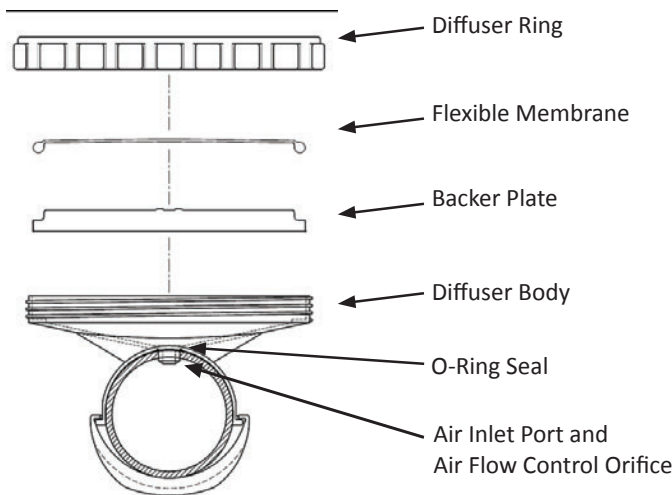
The FlexAir disc diffuser is provided with premium quality membrane materials that are engineered by the EDI Membrane Technologies division. EDI's proprietary membrane materials are engineered for superior product life. Multiple membrane perforations are available to optimize the performance of the diffuser for maximum operating efficiency, air handling capacity, or operating pressure. An integral triple check valve feature prevents the backflow of liquid into the diffuser and piping.

The FlexAir disc diffuser is ideally suited for on/off applications and requires minimal maintenance for long-term performance.

The FlexAir disc diffuser allows easy conversion to ceramic media as required and all diffusion media options (ceramic and membrane) are compatible with other 9 inch disc diffusers.

The diffuser assembly and Spectrum Saddle Mount is available in glass-fiber reinforced polypropylene for maximum performance. This material option offers greater mechanical and temperature capabilities as conventional PVC or CPVC products. The Spectrum Saddle Mount is compatible with any pipe material and is available in 3 inch, 4 inch, 90 mm, and 110 mm diameter sizes. This flexibility allows the air conveyance system to be sized to match project objectives with maximum pressure loss.

The Spectrum Saddle Mount features an air inlet port that inserts into pipe and the KlicLoc™ retainer positively locks the assembly to the lateral piping. Once installed, the assembly can withstand an external perimeter load in excess of 700 lb (320 kg) without failure.



Diffuser Type	Design Airflow		Overall Diameter		Active Surface Area		Dry Weight		Net Operating Buoyancy	
	scfm	m <sup>3</sup> <sub>N</sub> /h	in	mm	ft <sup>2</sup>	m <sup>2</sup>	lb	kg	lb	kg
9" Micro	0-6	0-9.5	10.9	277	0.41	0.038	2.4	1.1	3.1	1.4
9" High Cap	0-10	0-15.8	10.9	277	0.41	0.038	2.4	1.1	3.1	1.4

- Optimum oxygen transfer efficiency is achieved when operating in the middle to low end of the airflow range. The approximate operating pressure of the diffuser at the mid-range is 13 to 16 inches.
- Operating the unit at the high end of the range will result in reduced performance and increased operating pressure. Use the maximum airflow value for short term operations such as peak loads or system maintenance.



**Environmental Dynamics Inc.**  
 5601 Paris Road • Columbia, MO 65202 USA  
 +1 877.EDI.AIR8 (334.2478) +1 573.474.9456

For Parts Information:  
[parts@wastewater.com](mailto:parts@wastewater.com)  
[www.diffuserexpress.com](http://www.diffuserexpress.com)

For System Information:  
[systems@wastewater.com](mailto:systems@wastewater.com)  
[www.wastewater.com](http://www.wastewater.com)