

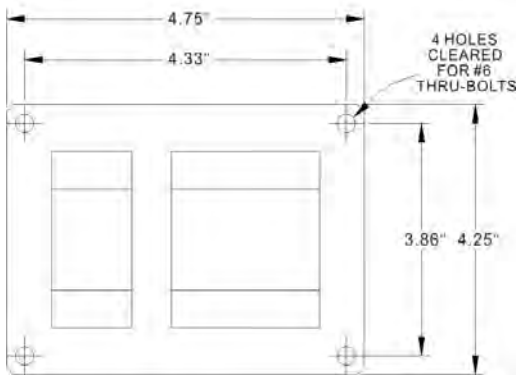
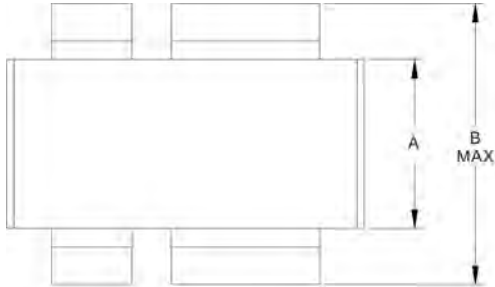


High Pressure Sodium Lamp

Catalog Number **86612**
S600ML5AA4
LU600W S106
60 Hz CWA

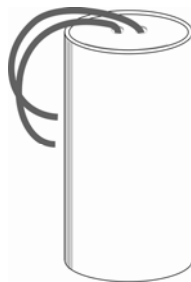
DIMENSIONS AND DATA

4¹/₄ × 4³/₄ CORE-2COIL UNIT



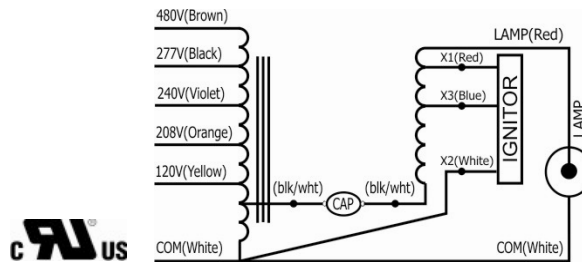
	120	208	240	277	480
INPUT VOLTS					
CIRCUIT TYPE	CWA				
POWER FACTOR	90%				
REGULATION					
Line Volts	±10%				
Lamp Watts	±13%				
LINE CURRENT	(Amps)				
Operating.....	6.00	3.50	3.00	2.60	1.50
Open Circuit.....	4.50	2.63	2.25	1.95	1.13
UL TEMPERATURE RATINGS					
Insulating Class	N(200°C)				
Coil Temperature Code	1029				
MIN.AMBIENT STARTING TEMP.	-20°F or -30°C				
NOM. OPEN CIRCUIT VOLTAGE	230				
INPUT VOLTAGE AT LAMP DROPOUT.....	90	156	180	208	360
INPUT WATTS	685				
RECOMMENDED FUSE(Amps).....	12	7	6	5	3
CORE and COIL					
Dimension(A)	3.54				
Dimension(B)	5.43				
Weight(lbs.)	17.6				
Lead Lengths	12"				
CAPACITOR REQUIREMENT					
Microfarads	55				
Volts(min.)	250				
60Hz TEST PROCEDURES					
1minute	2000				
2seconds	2500				
Open Circuit Voltage Test(Volts)	210-250				
Short-circuit Current Test(Amps)					
Secondary Current	5.80-8.70				

Capacitor:

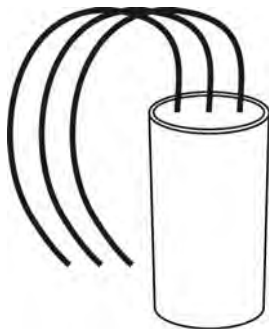


Capacitance: 55uf/250v
 Diameter: 1.77"
 Height: 4.64"
 Temp Rating: 100°C

Wiring Diagram:



Ignitor: HPS400



Diameter: 1.41"
 Height: 2.62"
 Ballast to Lamp Distance (BTL) = 10feet
 Temp Rating: 105°C

Lighting and Power
 Technologies LLC

7101 Whisperfield Dr. Plano, TX 75024
 PH: 972-624-5000 Fax; 972 624-5800
 Tech Support: 877 666-5267

sales@lightingandpowertech.com
 www.lightingandpowertech.com