



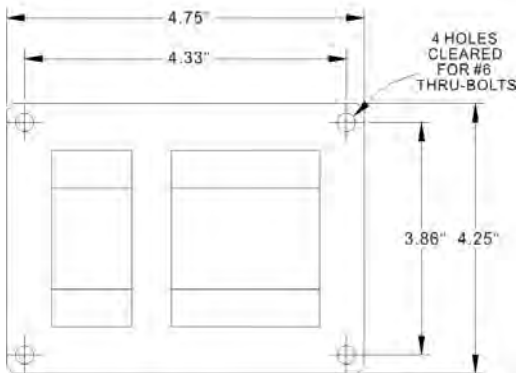
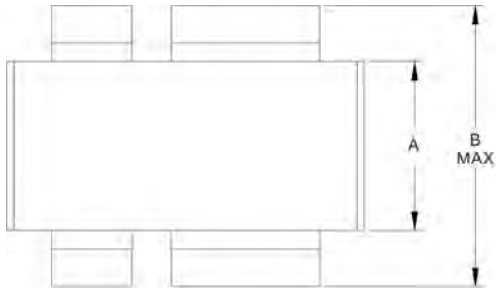
Metal Halide Lamp

Catalog Number **87608**

M250ML5AA4  
MH250W M58  
60 Hz CWA

DIMENSIONS AND DATA

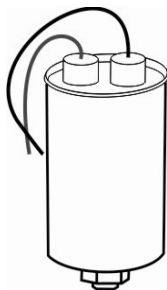
4<sup>1</sup>/<sub>4</sub> × 4<sup>3</sup>/<sub>4</sub> CORE-2COIL UNIT



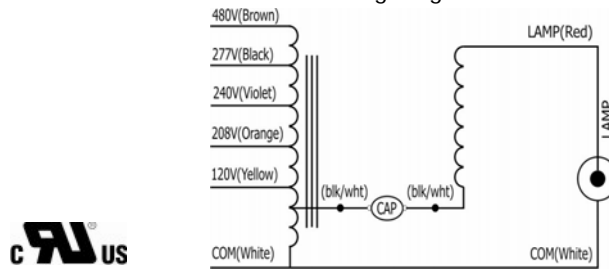
	120	208	240	277	480
INPUT VOLTS					
CIRCUIT TYPE	CWA				
POWER FACTOR	90%				
<b>REGULATION</b>					
Line Volts	±10%				
Lamp Watts	±8%				
<b>LINE CURRENT</b>	(Amps)				
Operating.....	2.60	1.50	1.30	1.10	0.70
Open Circuit.....	2.30	1.40	1.20	1.00	0.60
<b>UL TEMPERATURE RATINGS</b>					
Insulating Class	N(200°C)				
Coil Temperature Code	1029	B	A	A	A
MIN.AMBIENT STARTING TEMP.	-20°F or -30°C				
NOM. OPEN CIRCUIT VOLTAGE	300				
INPUT VOLTAGE AT LAMP DROPOUT.....	72	125	144	166	288
INPUT WATTS	300				
RECOMMENDED FUSE(Amps).....	5	3	3	2	1
<b>CORE and COIL</b>					
Dimension(A)	1.77				
Dimension(B)	3.70				
Weight(Ibs.)	9				
Lead Lengths	12"				
<b>CAPACITOR REQUIREMENT</b>					
Microfarads	15				
Volts(min.)	540				
<b>60Hz TEST PROCEDURES</b>					
1minute	2000				
2seconds	2500				
Open Circuit Voltage Test(Volts)	280-320				
<b>Short-circuit Current Test(Amps)</b>					
Secondary Current	2.10-3.15				

Capacitor:

Capacitance: 15uf/540v  
Diameter: 1.77"  
Height: 3.54"  
Temp Rating: 105°C



Wiring Diagram:



**Lighting and Power**  
T e c h n o l o g i e s L L C

7101 Whisperfield Dr. Plano, TX 75024  
PH: 972-624-5000 Fax; 972 624-5800  
Tech Support: 877 666-5267

sales@lightingandpowertech.com  
www.lightingandpowertech.com