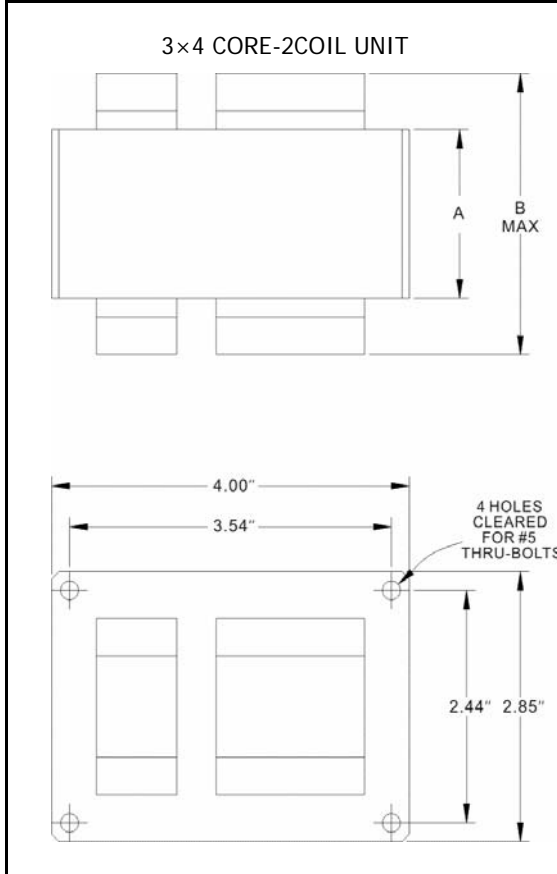




Pulse Start Metal Halide Lamp

Catalog Number 88603
P70ML5AA3
PS70W M98
60 Hz CWA

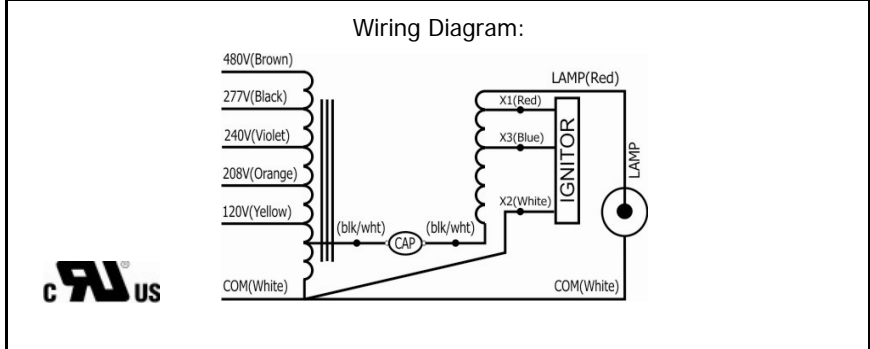
DIMENSIONS AND DATA



	120	208	240	277	480
INPUT VOLTS					
CIRCUIT TYPE	CWA				
POWER FACTOR	90%				
REGULATION					
Line Volts	±10%				
Lamp Watts	±8%				
LINE CURRENT	(Amps)				
Operating.....	0.90	0.52	0.45	0.39	0.22
Open Circuit.....	0.81	0.47	0.41	0.35	0.20
UL TEMPERATURE RATINGS					
Insulating Class	N(200°C)				
Coil Temperature Code	1029	A	A	A	A
MIN. AMBIENT STARTING TEMP.	-20°F or -30°C				
NOM. OPEN CIRCUIT VOLTAGE	210				
INPUT VOLTAGE AT LAMP DROPOUT.....	90	156	180	208	360
INPUT WATTS	100				
RECOMMENDED FUSE(Amps).....	2	1	1	1	1
CORE and COIL					
Dimension(A)	1.77				
Dimension(B)	3.27				
Weight(Ibs.)	5				
Lead Lengths	12"				
CAPACITOR REQUIREMENT					
Microfarads	10				
Volts(min.)	300				
60Hz TEST PROCEDURES					
1minute	2000				
2seconds	2500				
Open Circuit Voltage Test(Volts)	190-240				
Short-circuit Current Test(Amps)					
Secondary Current	0.90-1.35				

Capacitor:

Capacitance: 10uf/300v
 Diameter: 1.42"
 Height: 2.75"
 Temp Rating: 100°C



Ignitor: MH400

Diameter: 1.41"
 Height: 2.62"
 Ballast to Lamp Distance (BTL) = 10feet
 Temp Rating: 105°C

Lighting and Power
 Technologies LLC

7101 Whisperfield Dr. Plano, TX 75024
 PH: 972-624-5000 Fax: 972 624-5800
 Tech Support: 877 666-5267

sales@lightingandpowertech.com
 www.lightingandpowertech.com