



CERTIFIED GREEN



PRODUCT FEATURES

| | | | |
|---------------------------------|--|-------------------------------|--------------------------|
| STARTING METHOD: Program | INPUT VOLTAGE: 120-277VAC ± 10% | POWER FACTOR: High | WARRANTY: 5 Years |
| LAMP CONNECTION: Series | INPUT FREQUENCY: 50/60 Hz | BALLAST FACTOR: Normal | |

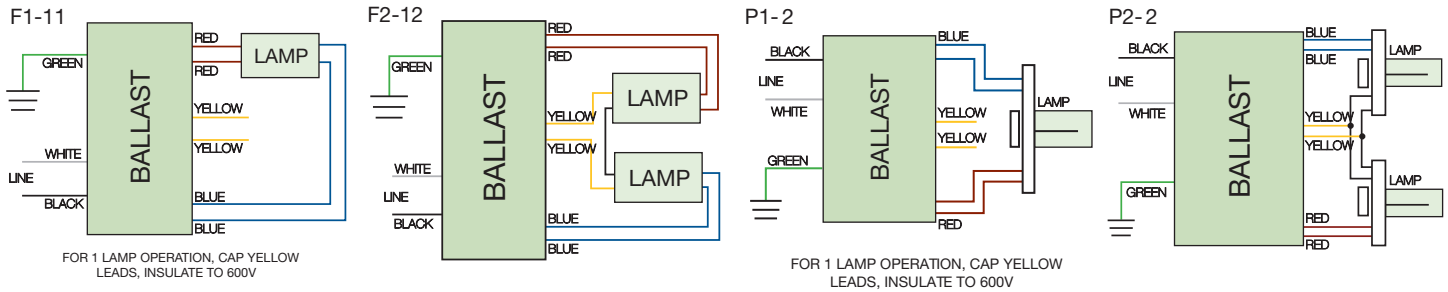
- Sound Rated: A
- Minimum Starting Temperature: 0°F, -18°C
- Maximum Case Temperature: 194°F, 90°C
- Meets FCC Part 18 (Class A) Non-Consumer Limits
- Transient Protection Meets ANSI/IEEE C62.41 Cat. A
- Lamp end-of-life protected

ELECTRICAL SPECIFICATIONS

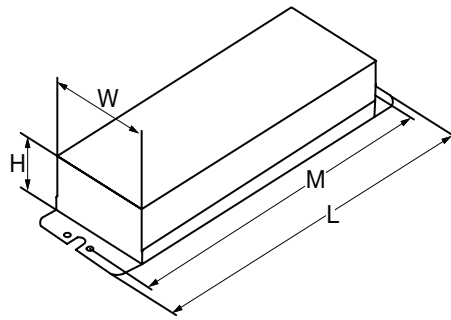
| LAMP TYPE | NO. OF LAMPS | INPUT VOLTS | INPUT WATTS | INPUT CURRENT (AMPS) | POWER FACTOR | CREST FACTOR | BALLAST FACTOR | BALLAST EFFICACY FACTOR | MAX THD% | WIRING DIAGRAM |
|-------------------|--------------|-------------|-------------|----------------------|--------------|--------------|----------------|-------------------------|----------|----------------|
| F54T5/HO | 2 | 120 | 120.0 | 1.00 | 0.99 | 1.70 | 1.00 | 0.83 | 10 | F2-12 |
| | | 277 | 120.0 | 0.43 | 0.98 | 1.70 | 1.00 | 0.83 | 10 | F2-12 |
| | 1 | 120 | 61.0 | 0.51 | 0.99 | 1.70 | 1.01 | 1.65 | 10 | F1-11 |
| | | 277 | 61.0 | 0.23 | 0.97 | 1.70 | 1.01 | 1.65 | 12 | F1-11 |
| FC12T5/HO (55W) | 2 | 120 | 104.0 | 0.87 | 0.99 | 1.70 | 0.85 | 0.82 | 10 | P2-2 |
| | | 277 | 104.0 | 0.39 | 0.98 | 1.70 | 0.85 | 0.82 | 10 | P2-2 |
| | 1 | 120 | 50.0 | 0.41 | 0.98 | 1.70 | 0.81 | 1.60 | 12 | P1-2 |
| | | 277 | 50.0 | 0.19 | 0.96 | 1.70 | 0.81 | 1.60 | 15 | P1-2 |
| DT55 (FT55W/2G11) | 2 | 120 | 112.0 | 0.94 | 0.98 | 1.70 | 0.90 | 0.80 | 10 | P2-2 |
| | | 277 | 109.0 | 0.41 | 0.98 | 1.70 | 0.90 | 0.83 | 10 | P2-2 |
| | 1 | 120 | 58.0 | 0.49 | 0.96 | 1.70 | 0.92 | 1.59 | 15 | P1-2 |
| | | 277 | 58.0 | 0.22 | 0.96 | 1.70 | 0.92 | 1.59 | 15 | P1-2 |
| DT50 (FT50W/2G11) | 2 | 120 | 106.0 | 0.89 | 0.99 | 1.70 | 0.95 | 0.90 | 10 | P2-2 |
| | | 277 | 106.0 | 0.39 | 0.98 | 1.70 | 0.95 | 0.90 | 12 | P2-2 |
| | 1 | 120 | 51.0 | 0.43 | 0.99 | 1.70 | 0.90 | 1.76 | 10 | P1-2 |
| | | 277 | 51.0 | 0.19 | 0.96 | 1.70 | 0.90 | 1.76 | 15 | P1-2 |
| DT36 (FT36W/2G11) | 2 | 120 | 79.0 | 0.66 | 0.98 | 1.70 | 0.99 | 1.26 | 10 | P2-2 |
| | | 277 | 79.0 | 0.29 | 0.97 | 1.70 | 0.99 | 1.26 | 12 | P2-2 |
| | 1 | 120 | 41.0 | 0.34 | 0.98 | 1.70 | 0.97 | 2.37 | 10 | P1-2 |
| | | 277 | 41.0 | 0.16 | 0.95 | 1.70 | 0.97 | 2.37 | 15 | P1-2 |

PowerMaster™

WIRING DIAGRAMS



CASE STYLE/DIMENSIONS



CASE DIMENSIONS

| |
|-----------------------|
| LENGTH: 9.57" |
| WIDTH: 1.35" |
| HEIGHT: 1.06" |
| MOUNTING: 8.96" |
| UNIT WEIGHT: 1.10 lbs |

STANDARD LEAD LENGTHS*

| |
|-------------------------|
| BLACK: 24.00" |
| WHITE: 24.00" |
| BLUE: 28.00" X 28.00" |
| RED: 28.00" X 28.00" |
| YELLOW: 44.00" X 44.00" |

*Consult EIKO for special lead length requirements.

HOT SPOT LOCATION

